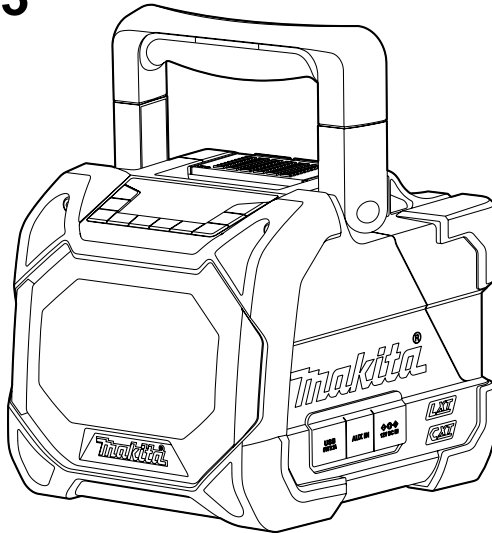
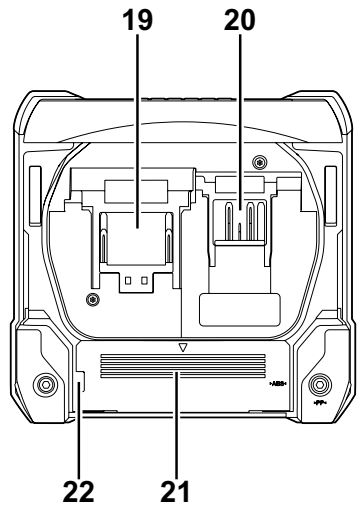
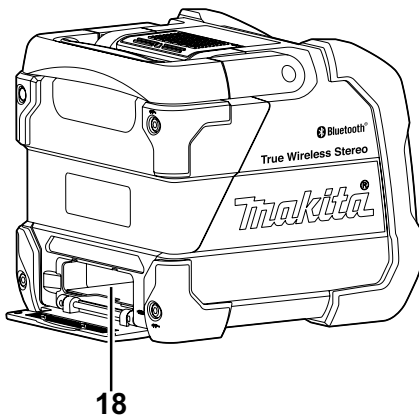
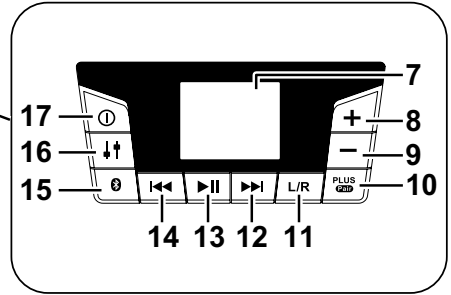
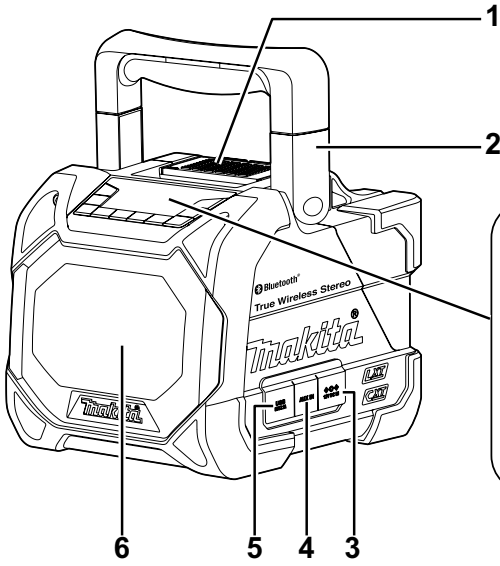


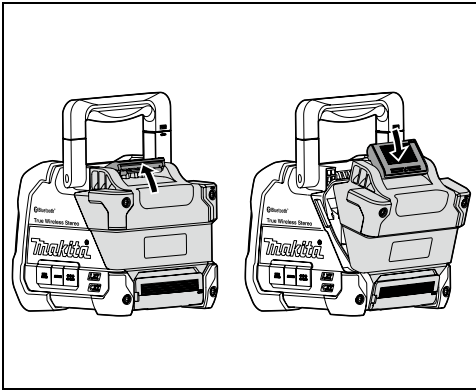


EN	Cordless Job Site Speaker	Instruction manual	4
FRCA	Haut-parleur sans fil pour le lieu de travail	Mode d'emploi	12
ESMX	Altavoz para obra inalámbrico	Manual de instrucciones	22
PTBR	Altifalante sem fio para locais de trabalho	Manual de instruções	32

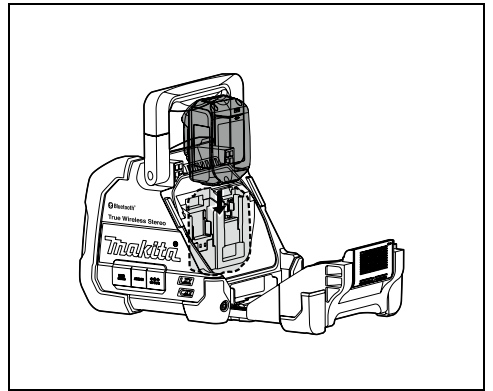
DMR203



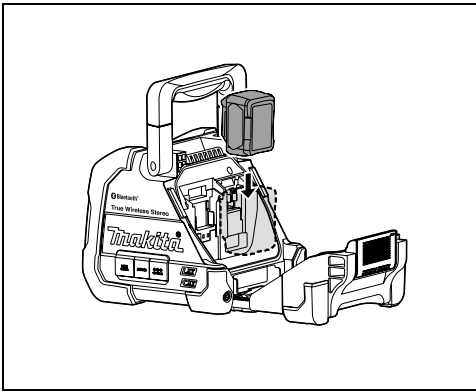




2



3



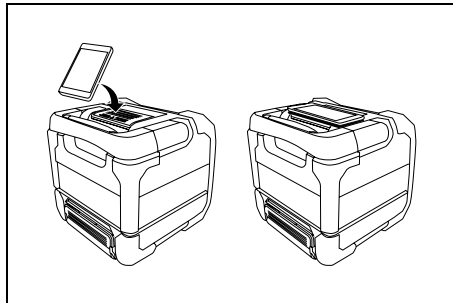
4

ENGLISH

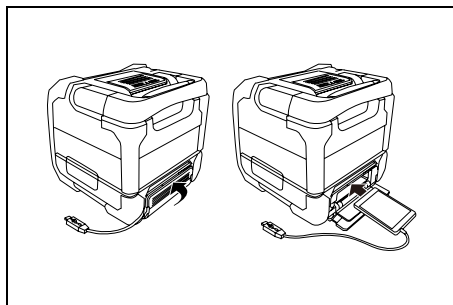
(Original instructions)

EXPLANATION OF GENERAL VIEW (Fig. 1)

1. Battery compartment locker/Mobile (Cell phone) placing panel



2. Handle
3. DC in socket
4. Auxiliary input socket
5. USB charging socket
6. Speaker
7. LCD display
8. Volume up button
9. Volume down button
10. Plus button (Plus pair button)
11. L/R button
12. Next track/Fast-forward button
13. Play/Pause button
14. Previous track/Rewind button
15. Bluetooth pairing button
16. EQ control button
17. Power button
18. Mobile (Cell phone) storage cabinet



19. 14.4V/18V battery terminal
20. 10.8V-12Vmax battery terminal
21. Mobile storage cabinet cover
22. Cable hole

SYMBOLS

The following show the symbols used for the equipment. Be sure that you understand their meaning before use.



Read instruction manual.

IMPORTANT SAFETY INSTRUCTIONS

⚠ WARNING:

When using electric tools, basic safety precautions should always be followed to reduce the risk of fire, electric shock, and personal injury, including the following:

1. Read this instruction manual and the charger instruction manual carefully before use.
2. Clean only with dry cloth.
3. Do not install near any heat sources such as radiators, heat registers, stoves, or other apparatus (including amplifiers) that produce heat.
4. Only use attachments/accessories specified by the manufacturer.
5. Unplug this apparatus during lightning storms or when unused for long periods of time.
6. A battery operated speaker with integral batteries or a separate battery pack must be recharged only with the specified charger for the battery. A charger that may be suitable for one type of battery may create a risk of fire when used with another battery.
7. Use battery operated speaker only with specifically designated battery packs. Use of any other batteries may create a risk of fire.
8. When battery pack is not in use, keep it away from other metal objects like: paper clips, coins, keys, nails, screws, or other small metal objects that can make a connection from one terminal to another. Shorting the battery terminals together may cause sparks, burns, or a fire.
9. Avoid body contact with grounded surfaces such as pipes, radiators, ranges and refrigerators. There is an increased risk of electric shock if your body is grounded.
10. Under abusive conditions, liquid may be ejected from the battery; avoid contact. If contact accidentally occurs, flush with water. If liquid contacts eyes, additionally seek medical help. Liquid ejected from the battery may cause irritation or burns.
11. Do not use a battery pack or tool that is damaged or modified. Damaged or modified batteries may exhibit unpredictable behavior resulting in fire, explosion or risk of injury.
12. Do not expose a battery pack or tool to fire or excessive temperature. Exposure to fire or temperature above 130°C (266°F) may cause explosion.

13. Follow all charging instructions and do not charge the battery pack or tool outside the temperature range specified in the instructions. Charging improperly or at temperatures outside the specified range may damage the battery and increase the risk of fire.
14. The MAINS plug is used as the disconnect device, and it shall remain readily operable.
15. Do not use the product at a high volume for any extended period. To avoid hearing damage, use the product at moderate volume level.
16. (For products with LCD display only) LCD displays include liquid which may cause irritation and poisoning. If the liquid enters the eyes, mouth or skin, rinse it with water and call a doctor.
17. Do not expose the product to rain or wet conditions. Water entering the product will increase the risk of electric shock.
18. This product is not intended for use by persons (including children) with reduced physical, sensory or mental capabilities, or lack of experience and knowledge, unless they have been given supervision or instruction concerning use of the product by a person responsible for their safety. Children should be supervised to ensure that they do not play with the product. Store the product out of the reach of children.
19. Do not heat or expose the speaker to fire or leave it in a hot location such as near a heat source, exposed to direct sunlight, or inside a vehicle under the blazing sun. Doing so may cause a fire or explosion and result in personal injury.
6. Do not store the tool and battery cartridge in locations where the temperature may reach or exceed 50°C (122°F).
7. Do not incinerate the battery cartridge even if it is severely damaged or is completely worn out. The battery cartridge can explode in a fire.
8. Be careful not to drop or strike battery.
9. Do not use a damaged battery.
10. To avoid risk, the manual of replaceable the battery should be read before use. And the max discharging current of the battery should be greater than or equal to 8A.
11. The contained lithium-ion-batteries are subject to the Dangerous Goods Legislation requirements. For commercial transports e.g. by third parties, forwarding agents, special requirement on packaging and labeling must be observed.
For preparation of the item being shipped, consulting an expert for hazardous material is required. Please also observe possibly more detailed national regulations. Tape or mask off open contacts and pack up the battery in such a manner that it cannot move around in the packaging.
12. When disposing the battery cartridge, remove it from the tool and dispose of it in a safe place. Follow your local regulations relating to disposal of battery.
13. Use the batteries only with the products specified by Makita. Installing the batteries to non-compliant products may result in a fire, excessive heat, explosion, or leak of electrolyte.
14. If the tool is not used for a long period of time, the battery must be removed from the tool.

SAVE THESE INSTRUCTIONS

SPECIFIC SAFETY RULES FOR BATTERY CARTRIDGE

1. Before using battery cartridge, read all instructions and cautionary markings on (1) battery charger, (2) battery, and (3) product using battery.
2. Do not disassemble battery cartridge.
3. If operating time has become excessively shorter, stop operating immediately. It may result in a risk of overheating, possible burns and even an explosion.
4. If electrolyte gets into your eyes, rinse them out with clear water and seek medical attention right away. It may result in loss of your eyesight.
5. Do not short the battery cartridge:
 - (1) Do not touch the terminals with any conductive material.
 - (2) Avoid storing battery cartridge in a container with other metal objects such as nails, coins, etc.
 - (3) Do not expose battery cartridge to water or rain. A battery short can cause a large current flow, overheating, possible burns and even a breakdown.

⚠ CAUTION:

- **Danger of explosion if battery is incorrectly replaced.**
- **Replace only with the same or equivalent type.**
- **Only use genuine Makita batteries. Use of non-genuine Makita batteries, or batteries that have been altered, may result in the battery bursting causing fires, personal injury and damage. It will also void the Makita warranty for the Makita tool and charger.**

Tips for maintaining maximum battery life

1. Charge the battery cartridge before completely discharged. Always stop operation and charge the battery cartridge when you notice less power.
2. Never recharge a fully charged battery cartridge. Overcharging shortens the battery service life.
3. Charge the battery cartridge with room temperature at 10°C - 40°C (50°F - 104°F). Let a hot battery cartridge cool down before charging it.
4. Charge the battery cartridge if you do not use it for a long period (more than six months).

For Canada:**Cautions to the user**

The changes or modifications not expressly approved by the party responsible for compliance could void the user's authority to operate the equipment.

RF exposure statements

To comply with the IC RF exposure compliance requirements, the antenna (s) used for this transmitter must be installed to provide a separation distance of at least 20 cm from all persons and must not be colocated or operating in conjunction with any other antenna or transmitter. No

change to the antenna or the device is permitted. Any change to the antenna or the device could result in the device exceeding the RF exposure requirements and void user's authority to operate the device.

This device complies with Industry Canada licenceexempt RSS standard (s).

Operation is subject to the following two conditions: (1) this device may not cause interference, and (2) this device must accept any interference, including interference that may cause undesired operation of the device.

OPERATING TIME

* The suitable battery packs for this speaker listed as the following table.

* The following table indicates the operating time on a single charge.

Battery Capacity	Battery Cartridge Voltage			AT SPEAKER OUTPUT = 100mW Unit: Hour (Approximately)	
	10.8V–12Vmax	14.4V	18V	Bluetooth	AUX IN
1.3Ah		BL1415*		5.5	6.5
			BL1815*	6.0	6.5
1.5Ah	BL1016			8.5	9.5
		BL1415N*		7.5	8.5
			BL1815N	7.5	8.5
2.0Ah	BL1021B			11	12
			BL1820* BL1820B	10	11
3.0Ah		BL1430* BL1430B		13	14
			BL1830 BL1830B	14	16
4.0Ah	BL1041B			22	25
		BL1440*		20	22
			BL1840* BL1840B	20	22
5.0Ah		BL1450*		24	27
			BL1850* BL1850B	26	29
6.0Ah		BL1460B*		27	30
			BL1860B	32	35

⚠ WARNING:

Only use the battery cartridges listed above. Use of any other battery cartridges may cause injury and/or fire.

NOTE:

- Table regarding to the battery operating time above is for reference.
- The actual operating time may differ with the type of the battery, charging condition, or usage environment.

INSTALLATION AND POWER SUPPLY

⚠ CAUTION:

- Be careful not to pinch your fingers when opening and closing the battery cover.
- Return the battery compartment locker to the original position, after installing or removing battery cartridge. If not, battery cartridge may accidentally fall out of the speaker, causing injury to you or someone around you.
- Always close and lock the battery compartment locker before moving the speaker.
- Always switch off the speaker before installing or removing the battery cartridge.
- Be careful not to drop or strike the speaker. Broken shell may slash your finger or stab your body. Damaged speaker may exhibit unpredictable behavior resulting in fire, explosion or risk of injury.
- Hold the speaker and the battery cartridge firmly when installing or removing battery cartridge. Failure to hold the speaker and the battery cartridge firmly may cause them to slip off your hands and result in damage to the speaker and battery cartridge and a personal injury.

IMPORTANT:

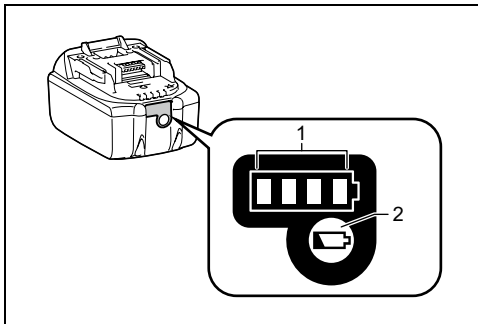
- Reduced power, distortion, "stuttering sound" or "low battery" appear on the display are all the signs that the main battery pack needs to be replaced.
- The battery cartridge can't be charged via the supplied AC power adaptor.
- The battery cartridge is not included as standard accessories.

Installing or removing slide battery cartridge (Fig. 3 and 4)

- To install the battery cartridge, align the tongue on the battery cartridge with the groove in the housing and slide it into place. Always insert it all the way until it locks in place with a little click.
- If you can see the red indicator on the upper side of the button, it is not locked completely. Install it fully until the red indicator cannot be seen. If not, it may accidentally fall out of the speaker, causing injury to you or someone around you.
- Do not use force when inserting the battery cartridge. If the cartridge does not slide in easily, it is not being inserted correctly.
- To remove the battery cartridge, sliding it from the speaker while pressing the button on the front of the cartridge.

Indicating the remaining battery capacity

* Only for battery cartridges with "B" at the end of the model number



➤ 1. Indicator lamps 2. Check button

Press the check button on the battery cartridge to indicate the remaining battery capacity. The indicator lamps light up for few seconds.

• 14.4V/18V batteries

Indicator or lamps			Remaining Capacity
Lighted	Off	Blinking	
■	□	◐	75% ~ 100%
■	■	■	50% ~ 75%
■	■	□	25% ~ 50%
■	□	□	0% ~ 25%
◐	□	□	Charge the battery
■	■	□	The battery may have malfunctioned
□	□	■	

• 10.8V-12Vmax batteries

Indicator or lamps			Remaining Capacity
Lighted	Off	Blinking	
■	□	◐	75% ~ 100%
■	■	■	50% ~ 75%
■	■	□	25% ~ 50%
■	□	□	0% ~ 25%

NOTE:

Depending on the conditions of use and the ambient temperature, the indication may differ slightly from the actual capacity.

Using supplied AC power adaptor

Remove the rubber protector and insert the adaptor plug into the DC socket on the right hand side of the speaker. Plug the adaptor into a standard mains socket outlet. Whenever the adaptor is used, the battery pack is automatically disconnected.

⚠ CAUTION:

- Always disconnect the AC power adaptor completely before moving the speaker. If the AC adaptor is not removed, it may cause an electric shock.
- Never pull and/or drag the cord of the adaptor. If not, the speaker may accidentally fall down, causing injury to you or someone around you.

IMPORTANT:

- The mains adaptor is used as the means of connecting the speaker to the mains supply. The mains socket used for the speaker must remain accessible during normal use.
- In order to disconnect the speaker, the mains adaptor should be removed from the mains outlet completely.
- Use the AC power adaptor supplied with the product or specified by Makita only.
- Do not hold the power supply cable and plug by your mouth. Doing so might cause an electric shock.
- Do not touch the power plug with wet or greasy hands.
- Damaged or entangled cords increase the risk of electric shock. If the cord is damaged, have it replaced by our authorized service center in order to avoid a safety hazard. Do not use it before repair.
- After use, always store AC power adaptor out of the reach of children. If Children play with the cord, they may suffer injury.

USB power supply socket

This jack can be used to charge a mobile phone or any other device that uses less than 2.1A of DC current. Charging will only occur when the speaker is switched on.

NOTE:

Ensure the specification of your external device such as mobile phone or player is compatible with the speaker. Please read instruction manual of your external device before charging.

IMPORTANT:

- Before connecting USB device to the charger, always backup your data of USB device. Otherwise your data may lose by any possibility.
- The charger may not supply power to some USB devices.
- When not using or after charging, remove the USB

cable and close the cover.

- Do not connect power source to USB port. Otherwise there is risk of fire. The USB port is only intended for charging lower voltage device. Always place the cover onto the USB port when not charging the lower voltage device.
- Do not insert a nail, wire, etc. into USB power supply port. Otherwise a circuit short may cause smoke and fire.
- Do not connect this USB socket with your PC USB port, as it is highly possible that it may cause breakdown of the units.

LISTENING TO MUSIC VIA BLUETOOTH STREAMING

You need to pair your Bluetooth device with the speaker before you can auto-link to play/stream Bluetooth music through the speaker. Pairing creates a 'bond' so two devices can recognize each other.

Note:

To have the better sound quality, we recommend setting the volume to more than two-thirds level on your Bluetooth device and then adjust the volume on the speaker as required.

Pairing your Bluetooth device for the first time

1. Press the Power button to turn on the speaker. "Pairing" will appear on the display to show the speaker is discoverable.
2. Activate Bluetooth on your device according to the device's user manual to link to the speaker. Locate the Bluetooth device list and select the device named "DMR203" (With some mobiles which are equipped with earlier versions than BT2.1 Bluetooth device, you may need to input the pass code "0000").
3. Once connected, there will be a confirmation tone sound. "Paired" will appear on the display. You can simply select and play any music from your source device. Volume control can be adjusted from your source device, or directly from the speaker.
4. Use the controls on your Bluetooth-enabled device or on the speaker to play/pause and navigate tracks.

Note:

- If 2 Bluetooth devices, pairing for the first time, both search for the speaker, it will show its availability on both devices. However, if one device links with this unit first, then the other Bluetooth device won't find it on the list.
- If your Bluetooth device is temporarily disconnected to the speaker, then you need to manually reconnect your device again to the speaker.
- If "DMR203" shows in your Bluetooth device list but your device cannot connect with it, please delete the

item from your list and pair the device with the speaker again following the steps described previously.

- Optimum Bluetooth streaming range is roughly 10 meters (30 feet) (line of sight) to the speaker but distance up to 30 meters (100 feet) are possible.
- If Bluetooth connection is lost due to exceeding time of separation, exceeding the optimum distance, obstacles or otherwise, reconnecting your device with the speaker may be necessary.
- Physical obstacles, other wireless devices or electromagnetic devices may affect the connection quality.
- Bluetooth connectivity performance may vary depending on the connected Bluetooth devices. Please refer to the Bluetooth capabilities of your device before connecting to the speaker. All features may not be supported on some paired Bluetooth devices.

Playing audio files in Bluetooth mode

When you have successfully connected the speaker with the chosen Bluetooth device you can start to play your music using the controls on your connected Bluetooth device.

1. Once playing has started adjust the volume to the required setting using the Volume buttons on the speaker or on your enabled Bluetooth device.
2. Use the controls on your Bluetooth device to play/pause and navigate tracks. Alternatively, control the playback using Play/Pause, Next track and Previous track buttons on your speaker.
3. Press and hold the Fast-forward button or Rewind button to move through the current track. Release the button when the desired point is reached.

Note:

- Not all player applications or devices may respond to all of these controls.
- Some mobile phones may temporarily disconnect from the speaker when you make or receive calls. Some devices may temporarily mute their Bluetooth audio streaming when they receive text messages, emails or for other reasons unrelated to audio streaming. Such behavior is a function of the connected device and does not indicate a fault with the speaker.
- The display will show the track information such as title, artist, album, etc., when playing in Bluetooth mode.

Playing a previously-paired Bluetooth source device

The speaker can memorize up to 8 sets of paired device, when the memory exceed this amount, the oldest pairing history will be over written. If your Bluetooth device already paired with the speaker previously, the unit will memorize your Bluetooth device and it attempts to reconnect with a device in memory which is last connected. If the last connected device is not available,

the speaker will be discoverable.

Disconnecting your Bluetooth device

Press and hold the Bluetooth pairing button for 2-3 seconds until "Pairing" is shown on the display to disconnect with your Bluetooth device or turn off Bluetooth on your Bluetooth device to disable the connection.

Deleting Bluetooth paired device memory

To clear the memory of all paired devices, press and hold the Bluetooth pairing button for more than 5 seconds until you hear two beeps.

TRUE WIRELESS STEREO (TWS) FUNCTION

True wireless stereo (TWS) is a feature that allows one device to wirelessly connect with another device. You can use the TWS function to connect it to a second DMR203 and play your music through two speakers.

Set up the first speaker

1. Make sure the first speaker is in Bluetooth mode and connect to a Bluetooth device.
2. Press the Plus button, the display will show **[ST] • [MULTI]**. **[ST]** will flash on the display. Press the Plus button to enter the "ST Pair" mode. If no buttons are pressed for 10 seconds, the speaker will also enter the "ST Pair" mode. The display will show "ST Pair" and "Pair" will flash 1 minute.

Set up the second speaker

1. Make sure a second speaker is in Bluetooth mode.
2. Press the Plus button, the display will show **[ST] • [MULTI]**. **[ST]** will flash on the display. Press the Plus button to enter the "ST Pair" mode. If no buttons are pressed for 10 seconds, the speaker will also enter the "ST Pair" mode. When the connection is successful, **[L - [ST] - R]** will be shown on both displays at the same time. The EQ setting will revert to Flat mode (initial setting).

Note:

Set up the second speaker within 1 minute. If you do not set it up within 1 minute, the setting of the first speaker will be canceled.

Start playback

1. Start playback on the connected Bluetooth device and adjust the volume on the Bluetooth device or one of the speakers for comfortable listening.

Note:

Volume or EQ (not including Bass/Middle/Treble) adjustment of one speaker is reflected on the other.

2. Use the controls on your Bluetooth device to play/pause and navigate tracks. Alternatively, control the

playback using Play/Pause, Next track and Previous track buttons on the one of the speakers. The display on the first speaker will show the track information such as title, artist, album, etc.

3. Press and hold the Fast-forward button or Rewind button on the one of the speakers to move through the current track. Release the button when the desired point is reached.

Switching the audio mode

1. Using two speakers, you can switch between **L · ST · R**, **R · ST · R** and **L · ST · L** mode.
2. Press the L/R button on either of the speakers to change the audio mode.
3. **L · ST · R** mode: Both speakers play the same sound. It is the initial setting.
4. **R · ST · R** and **L · ST · L** mode: One speaker plays the sound on the right channel, while the other speaker plays the sound on the left channel for stereo playback between the speakers.

Disconnecting the TWS Function

Press and hold the Plus button to disconnect the TWS function.

ENJOYING WIRELESS PLAYBACK USING MULTIPLE SPEAKERS

You can enjoy music at the same time by combining up to 10 devices which are compatible with this function.

Set up the first speaker

1. Make sure the first speaker is in Bluetooth mode and connect to a Bluetooth device.
2. Press the Plus button, the display will show **ST · MULTI**.
3. Select **MULTI** by pressing the L/R button. **MULTI** will flash on the display. Press the Plus button to enter "MULTI Pair" mode. If no buttons are pressed for 10 seconds, the speaker will also enter the "MULTI Pair" mode. The display will show "MULTI Pair" and "Pair" will flash 1 minute.

Connect the second and more speakers

1. Make sure the multiple speakers are all in Bluetooth mode.
2. Press the Plus button, the display will show **ST · MULTI**.
3. Select **MULTI** by pressing the L/R button. **MULTI** will flash on the display. Press the Plus button to enter the "MULTI Pair" mode. If no buttons are pressed for 10 seconds, the speaker will also enter the "MULTI Pair" mode.

When the connection is successful, the display will be shown "PARENT" (the master speaker) on the first speaker and the other displays are all shown "CHILD"

(the secondary speaker). The EQ setting will revert to Flat mode (initial setting).

Note:

When connecting the second and more speakers, connect it within 1 minute after setting the first speaker. After 1 minute, the speaker cannot be connected.

Add a new secondary speaker

If you want to add another speaker after connecting, operate below steps:

1. Make sure the new speaker is in Bluetooth mode.
2. Press the Plus button on the master speaker, the display will show "MULTI ADD" and "ADD" will flash on the display.
3. Press the Plus button on the new speaker, the display will show **ST · MULTI**.
4. Select **MULTI** by pressing the L/R button. **MULTI** will flash on the display. Press the Plus button to enter the "MULTI Pair" mode. If no buttons are pressed for 10 seconds, the speaker will also enter the "MULTI Pair" mode. When the connection is successful, "CHILD" (the secondary speaker) will be displayed on the new speaker. The EQ setting will revert to Flat mode (initial setting).

Start playback

1. Start playback on the connected Bluetooth device and adjust the volume on the Bluetooth device or on the speakers for comfortable listening. The same music is played from all speakers.

Note:

Only for the master speaker, the volume or EQ (not including Bass/Middle/Treble) adjustment will be synchronized with the other speakers. For other speakers, adjust the volume or EQ individually with each speaker.

2. Use the controls on your Bluetooth device to play/pause and navigate tracks. Alternatively, control the playback using Play/Pause, Next track and Previous track buttons on the master speaker. The display on the master speaker will show the track information such as title, artist, album, etc.
3. Press and hold the Fast-forward button or Rewind button on the master speaker to move through the current track. Release the button when the desired point is reached.

Disconnecting the multiple speakers

- To disconnect only one secondary speaker, press and hold the Plus button of the secondary speaker you want to disconnect.
- To disconnect all connections and exit the multiple speakers group, press and hold the Plus button of the master speaker.

Equalizer function

1. Press the Power button to switch on your speaker.
2. Press the EQ control button to select your required mode (FLAT/JAZZ/ROCK/CLASSIC/POP/NEWS).
3. To set up the bass, middle and treble, press the EQ control button until "Bass" flashes on the display.
4. Press the Volume up/down button to select your required bass level. Press the EQ control button to confirm the setting and enter the "Mid." (Middle) setting.
5. Press the Volume up/down button to select your required middle level. Press the EQ control button to confirm the setting and enter the "Tre." (Treble) setting.
6. Press the Volume up/down button to select your required treble level. Press the EQ control button to confirm the setting.

Playing music via auxiliary input socket

A 3.5mm Auxiliary input socket is provided on the right side of the unit to permit an audio signal to be fed into the unit from any devices that features a headphone or audio output, such as MP3 or CD player.

1. Connect a stereo or mono audio source (for example, MP3 or CD player) to the Auxiliary input socket (marked 'AUX IN'), the speaker will be switched from Bluetooth to auxiliary input mode.
2. Adjust the Volume control on your MP3 or CD player to ensure an adequate signal and then adjust the volume on the speaker for comfortable listening.

Note:

To have the better sound quality, we recommend setting the volume to more than two-thirds level on your audio device and then adjust the volume on the speaker as required.

The display does not show the information such as title, artist, album, etc., when playing via auxiliary input socket.

MAINTENANCE

⚠ CAUTION:

- Never use gasoline, benzine, thinner, alcohol or the like. Discoloration, deformation or cracks may result.
- Do not wash the speaker with water.

SPECIFICATIONS

Amplifier	
Output power	10.8V-12Vmax: 3.5W 14.4V: 6W 18V: 10W
Frequency response	50Hz~20kHz
Aux In	
Input sensitivity	250mVrms @100Hz
Speaker	
Main speaker	101.6mm 8ohm 10W
Tweeter speaker	36mm 8ohm 10W

Bluetooth® (The Bluetooth® word mark and logos are registered trademarks owned by Bluetooth SIG, Inc.)	
Bluetooth version	5.0 Certified
Bluetooth Profiles	A2DP/SCMS-T/AVRCP
Transmission Power	Power Class2
Transmission Range	Optimum: Max.10 meters (33 feet) Possible: Max.30 meters (100 feet) (varies according to usage conditions)
Supported codec	SBC
Compatible Bluetooth profile	A2DP/AVRCP
Maximum speaker-frequency power	BT EDR: 3.08dBm BT LE: 3.88dBm
Operating Frequency	2402MHz~2480MHz

USB charging socket	
Maximum supplying power of USB socket	5V, 2.1A

General	
AC power adaptor	DC in 12V 1.5A, center pin positive
Battery	Slide battery: 10.8V-12Vmax 14.4V 18V
Dimensions(W x H x D)	206mm x 199mm x 217mm
Weight	2.7KG (without battery)

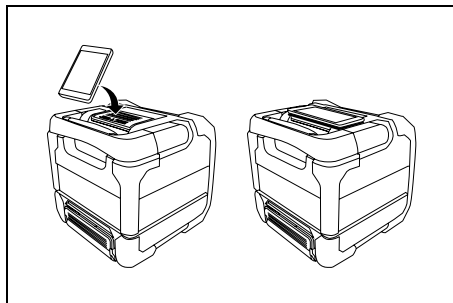
The company reserves the rights to amend the specification without notice.

FRANÇAIS

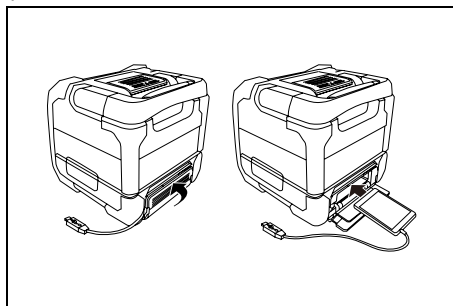
(Instructions d'origine)

INTERPRÉTATION DE LA VUE GÉNÉRALE (Fig. 1)

1. Loquet du compartiment de la batterie/
Emplacement pour téléphone portable



2. Poignée
3. Prise DC IN
4. Prise d'entrée auxiliaire
5. Port de charge USB
6. Haut-parleur
7. Écran LCD
8. Bouton Volume haut
9. Bouton Volume bas
10. Bouton Plus (bouton de couplage Plus)
11. Bouton L/R (gauche/droite)
12. Bouton suivant/Bouton avance rapide
13. Bouton Lecture /Pause
14. Bouton précédent/Bouton rembobinage
15. Bouton de couplage Bluetooth
16. Bouton de réglage de l'EQ (Egaliseur)
17. Bouton d'alimentation (Power)
18. Compartiment de rangement du téléphone portable



19. Compartiment de la batterie de 14,4V/18V
20. Compartiment de la batterie de 10,8V-12Vmax.
21. Clapet du compartiment pour le rangement du téléphone portable

22. Trou pour câble

SYMBOLES

Les symboles utilisés pour l'équipement sont affichés ci-dessous. Soyez sûr de tout comprendre avant toute utilisation.



Lisez le manuel d'utilisation.

INSTRUCTIONS IMPORTANTES DE SÉCURITÉ

⚠ AVERTISSEMENT:

Lorsque vous utilisez des outils électriques, des précautions de base devraient toujours être suivies pour réduire le risque d'incendie, d'électrocution et de blessures, notamment les précautions suivantes:

1. Lisez ce mode d'emploi attentivement ainsi que le mode d'emploi du chargeur avant de l'utiliser.
2. Nettoyez avec un chiffon sec.
3. N'installez pas à proximité de sources de chaleur telles que radiateurs, équipements de chauffage, poêle ou autres appareils (y compris les amplificateurs) qui produisent de la chaleur.
4. N'utilisez que les extensions/accessoires spécifiés par le fabricant.
5. Débranchez cet appareil lors des orages ou lorsqu'il est inutilisé pendant une longue période.
6. Les batteries utilisées pour les haut-parleurs, qu'elles soient intégrées ou séparées, doivent être rechargées uniquement à l'aide du chargeur de batterie spécifié. Un chargeur qui convient à un type de batterie peut créer un risque d'incendie s'il est utilisé avec une autre batterie.
7. Les haut-parleurs fonctionnant à l'aide de batteries doivent être utilisés uniquement avec les batteries désignées. L'utilisation d'autres batteries peut créer un risque d'incendie.
8. Lorsque la batterie n'est pas utilisée, veuillez la tenir éloigner des autres objets métalliques tels que : les trombones, les pièces de monnaie, les clés, les clous, les vis ou les autres petits objets métalliques qui peuvent établir une connexion d'une borne à un autre. Court-circuiter les bornes de la batterie peut provoquer des étincelles, des brûlures ou un incendie.
9. Évitez tout contact corporel avec des surfaces reliées à la terre telles que les tuyaux, les radiateurs, les cuisinières et les réfrigérateurs. Il y a un risque accru de choc électrique si votre corps est relié à la terre.
10. Dans des conditions extrêmes, du liquide peut être éjecté depuis la batterie ; évitez tout contact avec le liquide. En cas de contact accidentel, rincez avec de

RÈGLES SPÉCIFIQUES DE SÉCURITÉ POUR LA CARTOUCHE DE BATTERIE

- l'eau. Si le liquide entre en contact avec les yeux, consultez un médecin. Le liquide éjecté depuis la batterie peut causer des irritations ou des brûlures.
11. N'utilisez pas les batteries d'accumulateurs ou un appareil qui a été endommagé voire même modifié. Les batteries endommagées ou modifiées peuvent présenter un comportement imprévisible entraînant un incendie, une explosion ou un risque de blessure.
 12. N'exposez pas une batterie ou un appareil au feu ou à une température excessive. L'exposition au feu ou à une température supérieure à 130°C (266°F) peut provoquer une explosion.
 13. Suivez toutes les instructions de charge et ne chargez pas la batterie ou l'appareil en dehors de la plage de température spécifiée dans les instructions. La charge incorrecte ou à des températures en dehors de la plage spécifiée peut endommager la batterie et augmenter le risque d'incendie.
 14. Les prises SECTEUR sont utilisées comme dispositif de déconnexion, et elles doivent rester facilement accessibles.
 15. N'utilisez pas le produit à un volume élevé durant une période prolongée. Pour éviter les dommages auditifs, utilisez-le produit à un niveau de volume modéré.
 16. (pour les produits avec affichage à cristaux liquides seulement) les affichages à cristaux liquides incluent le liquide qui peut causer de l'irritation et un empoisonnement. Si le liquide pénètre dans les yeux, la bouche ou la peau, rincez avec de l'eau et appelez un médecin.
 17. N'exposez pas le produit à la pluie ou à des environnements humides. L'eau pénétrant dans le produit augmente le risque de choc électrique.
 18. Ce produit n'est pas destiné à être utilisé par des personnes (y compris des enfants) ayant des capacités physiques, sensorielles ou mentales réduites, ou un manque d'expérience et de connaissances, à moins qu'elles aient reçu une supervision ou une formation concernant l'utilisation du produit par une personne responsable pour leur sécurité. Les enfants doivent être surveillés pour s'assurer qu'ils ne jouent pas avec le produit. Entreposez le produit hors de la portée des enfants.
 19. Ne chauffez pas ni n'exposez le haut-parleur au feu. Ne le laissez pas dans un endroit chaud, par exemple près d'une source de chaleur, exposé à la lumière directe du soleil ou à l'intérieur d'un véhicule sous un soleil brûlant. Cela pourrait provoquer un incendie ou une explosion et causer des blessures.

CONSERVEZ SES INSTRUCTIONS

1. Avant d'utiliser la cartouche de batterie, lisez toutes les instructions et les avertissements concernant (1) le chargeur de batterie, (2) la batterie, et (3) l'équipement utilisant la batterie.
2. Ne démontez pas la cartouche de batterie
3. Si le temps de fonctionnement devient excessivement court, cessez immédiatement l'utilisation. Il peut en résulter un risque de surchauffe, de brûlures et même d'explosion.
4. Si l'électrolyte pénètre dans vos yeux, rincez-les à l'eau claire et consultez un médecin immédiatement. Cela peut entraîner une perte de la vue.
5. Ne court-circuitez pas la cartouche de la batterie:
 - (1) Ne touchez pas les bornes avec un matériau conducteur.
 - (2) Évitez de ranger la cartouche de la batterie dans un conteneur avec d'autres objets métalliques tels que des clous, des pièces de monnaie, etc.
 - (3) N'exposez pas la cartouche de la batterie à l'eau ou à la pluie. Un court-circuit de la batterie peut provoquer un fort courant, une surchauffe, des brûlures et même une panne.
6. Ne rangez pas l'outil ou la cartouche de la batterie dans des endroits où la température peut atteindre ou dépasser 50°C (122°F).
7. N'incinerez pas la cartouche de la batterie même si elle est sérieusement endommagée ou complètement usée. La cartouche de la batterie peut exploser dans un feu.
8. Veillez ne pas laisser tomber ou heurter la batterie.
9. N'utilisez pas de batterie endommagée.
10. Pour éviter tout risque, le manuel de la batterie de remplacement de la batterie doit être lu avant toute utilisation. Le courant de décharge maximal de la batterie doit être supérieur ou égal à 8A.
11. Les batteries lithium-ion sont soumises aux exigences de la législation sur les marchandises dangereuses. Pour les transports commerciaux, par ex. par des tiers, des agents de livraison, des exigences particulières en matière de conditionnement et d'étiquetage doivent être respectées. Pour la préparation de l'article à expédier, il est nécessaire de consulter un expert pour les matières dangereuses. Veuillez également prendre connaissance des réglementations nationales éventuellement plus détaillées. Recouvrez par du scotch ou masquez les contacts ouverts et emballez la batterie de telle manière qu'elle ne puisse pas bouger dans l'emballage.

12. Lorsque vous éliminez la cartouche de batterie, retirez-la de l'appareil et éliminez-la dans un endroit sûr. Suivez les réglementations locales relatives à l'élimination des batteries.
13. Utilisez les batteries uniquement avec les produits spécifiés par Makita. L'installation des batteries dans des produits non conformes peut entraîner un incendie, une chaleur excessive, une explosion ou une fuite d'électrolyte.
14. Si l'appareil n'est pas utilisé pendant une longue période de temps, la batterie doit y être retirée.

⚠ MISE EN GARDE:

- **Risque d'explosion si la batterie est incorrectement remplacée.**
- **Remplacez uniquement avec le même type ou équivalent.**
- **N'utilisez que des batteries Makita authentiques. L'utilisation de batteries Makita non authentiques, ou des batteries qui ont été modifiées, peut provoquer une explosion de la batterie provoquant des incendies, des blessures et des dégâts. Cela annulera également la garantie Makita pour l'outil Makita et le chargeur.**

Conseils pour maintenir la durée de vie de la batterie au maximum

1. Chargez la cartouche de la batterie avant qu'elle ne soit complètement déchargée. Arrêtez toujours le fonctionnement de l'équipement et rechargez la cartouche de la batterie lorsque vous remarquez que la puissance de l'équipement est faible.
2. Rechargez jamais une cartouche de batterie qui est déjà complètement chargée. La surcharge réduit la durée de vie de la batterie.
3. Rechargez la cartouche de batterie à une température ambiante de 10°C à 40°C (50°F - 104°F). Laissez la cartouche de batterie chaude se refroidir avant de la charger.
4. Rechargez la cartouche de batterie si vous ne l'utilisez pas pendant une longue période (plus de six mois).

Pour le Canada:

Attention à l'intention de l'utilisateur

Tout changement ou modification non expressément approuvés par la partie responsable de la conformité peut entraîner l'annulation du droit de l'utilisateur à utiliser cet appareil.

Énoncé sur l'exposition aux RF

Pour répondre aux exigences de conformité à l'exposition RF IC, l'antenne utilisée avec l'émetteur doit être installée pour permettre une distance de séparation d'au moins 20 cm de toute personne et ne doit pas être placée à côté ou fonctionner conjointement avec une autre antenne ou un autre émetteur. Aucun changement sur l'antenne ou sur l'appareil n'est autorisé. Tout changement sur l'antenne ou l'appareil pourrait amener l'appareil à dépasser les exigences d'exposition RF et annuler le droit de l'utilisateur d'utiliser l'appareil.

Le présent dispositif est conforme aux CNR d'Industrie Canada applicables aux appareils exempts de licence.

L'exploitation est autorisée aux deux conditions suivantes:

- (1) le dispositif ne doit pas produire de brouillage, et (2) le dispositif doit accepter tout brouillage radioélectrique subi, même si le brouillage est susceptible.

TEMPS DE FONCTIONNEMENT

* Les batteries appropriées pour ce haut-parleur sont répertoriées dans le tableau suivant.

* Le tableau suivant indique le temps de fonctionnement sur une seule charge.

Capacité de la batterie	Tension de la cartouche de la batterie			SORTIE DU HAUT-PARLEUR = 100mW Unité: Heures (Approximative)	
	10,8V-12Vmax	14,4V	18V	En mode Bluetooth	En mode AUX IN
1.3Ah		BL1415*		5.5	6.5
			BL1815*	6.0	6.5
1.5Ah	BL1016			8.5	9.5
		BL1415N*		7.5	8.5
			BL1815N	7.5	8.5
2.0Ah	BL1021B			11	12
			BL1820* BL1820B	10	11
3.0Ah		BL1430* BL1430B		13	14
			BL1830 BL1830B	14	16
4.0Ah	BL1041B			22	25
		BL1440*		20	22
			BL1840* BL1840B	20	22
5.0Ah		BL1450*		24	27
			BL1850* BL1850B	26	29
6.0Ah		BL1460B*		27	30
			BL1860B	32	35

AVERTISSEMENT:

N'utilisez que les cartouches de batterie énumérées ci-dessus. L'utilisation de toute autre cartouche de batterie peut causer des blessures et/ou des incendies.

REMARQUE:

- Le tableau concernant la durée de fonctionnement de la batterie ci-dessus est présenté comme référence.
- Le temps de fonctionnement réel peut différer du type de la batterie, de la condition de la charge ou de l'environnement d'utilisation.

INSTALLATION ET ALIMENTATION FOURNIE

⚠ MISE EN GARDE:

- Veuillez faire attention à ne pas vous pincer les doigts en ouvrant ou fermant le clapet de la batterie.
- Remettez le loquet du compartiment de la batterie dans sa position initiale après l'ajout ou le retrait de la batterie. À défaut, elle risque de tomber accidentellement du haut-parleur et de vous blesser ou de blesser une personne située près de vous.
- Fermez et verrouillez toujours le compartiment de la batterie avant tout déplacement du haut-parleur.
- Éteignez toujours le haut-parleur avant d'installer et de retirer la batterie.
- Veuillez éviter toute chute du haut-parleur ou autres impacts. Un boîtier brisé peut vous couper les doigts ou vous causer d'autres blessures. Un haut-parleur endommagé peut avoir un comportement imprévisible entraînant un incendie, une explosion ou un risque de blessure.
- Tenez fermement le haut-parleur et la batterie lors de l'installation ou du retrait de la batterie. Si vous ne tenez pas fermement le haut-parleur et la batterie, vous risquez de les faire glisser de vos mains, d'endommager le haut-parleur et la batterie et de vous blesser.

IMPORTANT:

- Une baisse de puissance, une distorsion sonore, un son saccadé ou l'affichage de « Batterie faible » sur l'écran sont les signes que la batterie a besoin d'être remplacée.
- La batterie ne peut être chargée via l'adaptateur d'alimentation secteur fourni.
- La batterie n'est pas incluse dans les accessoires de base.

Installation et retrait d'une batterie coulissante (Fig. 3 et 4)

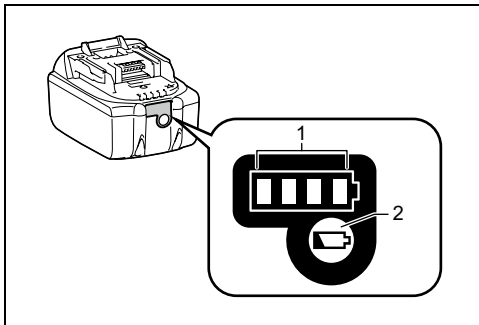
- Pour installer la batterie, alignez sa languette sur la rainure qui se trouve à l'intérieur du logement, puis faites glisser la batterie pour la mettre en place. Insérez-la toujours bien à fond, jusqu'à ce qu'elle se verrouille en émettant un léger déclic.
- Si vous voyez le voyant rouge sur la face supérieure du bouton, la batterie n'est pas parfaitement verrouillée. Installez-la à fond, jusqu'à ce que le voyant rouge ne soit plus visible. À défaut, elle risque de tomber accidentellement du haut-parleur et de vous blesser ou de blesser une personne située près de vous.
- N'appliquez pas une force excessive lors de l'insertion de la batterie. Si la batterie ne glisse pas aisément, elle

n'est pas insérée correctement.

- Pour retirer la cartouche de la batterie, faites-la glisser du haut-parleur tout en appuyant sur le bouton à l'avant de la cartouche.

Indication de l'autonomie restante de la batterie

* *Uniquement pour les batteries dont le numéro de modèle se termine par la lettre « B »*



➤ 1. Voyants de charge de la batterie








2. Bouton de vérification

Appuyez sur le bouton de vérification pour vérifier l'autonomie restante de la batterie. Les voyants s'allument alors pendant quelques secondes.

• Batteries de 14,4V/18V

Indicateurs ou voyants de charge			Capacité restante
Allumés	Eteintes	Clignotants	
■ ■ ■ ■	□ □ □ □	▬	75% ~ 100%
■ ■ ■ □	□ □ □ □	▬	50% ~ 75%
■ ■ □ □	□ □ □ □	▬	25% ~ 50%
■ □ □ □	□ □ □ □	▬	0% ~ 25%
▬ □ □ □	□ □ □ □	▬	Rechargez la batterie
■ ■ □ □	□ □ □ □	▬	La batterie semble mal fonctionnée
□ □ ■ ■	□ □ □ □	▬	

● **Batteries de 10,8V-12Vmax**

Indicateurs ou voyants de charge			Capacité restante
 Allumés	 Eteintes	 Clignotants	
			75% ~ 100%
			50% ~ 75%
			25% ~ 50%
			0% ~ 25%

REMARQUE:

Selon les conditions d'utilisation et la température ambiante, les voyants peuvent indiquer une capacité légèrement différente de la capacité réelle.

Utilisation de l'adaptateur secteur fourni

Retirez la protection en caoutchouc et insérez la fiche de l'adaptateur dans la prise CC située sur le côté droit du haut-parleur. Branchez l'adaptateur dans une prise secteur standard. Chaque fois que l'adaptateur est utilisé, la batterie est automatiquement déconnectée.

⚠ MISE EN GARDE:

- **Déconnectez toujours complètement l'adaptateur secteur avant de déplacer le haut-parleur. Si l'adaptateur secteur n'est pas retiré, cela peut provoquer un risque d'électrocution.**
- **Ne jamais tirer et trainer le cordon de l'adaptateur. Si vous le faites, le haut-parleur risque de tomber accidentellement, vous blessant ou blessant les gens situés autour de vous.**

IMPORTANT:

- L'adaptateur secteur est utilisé pour connecter le haut-parleur à l'alimentation secteur. La prise secteur utilisée pour le haut-parleur doit rester accessible pendant l'utilisation normale.
- Pour déconnecter le haut-parleur, débranchez complètement l'adaptateur secteur de la prise de courant.
- Utilisez l'adaptateur secteur fourni avec le produit ou uniquement celui spécifié par MAKITA.
- Ne tenez pas le câble d'alimentation et ne le mettez pas dans votre bouche. Cela peut provoquer un choc électrique.
- Ne touchez pas le câble d'alimentation avec les mains mouillées ou grasses.
- Si le cordon est endommagé ou emmêlé, faites-le remplacer par notre centre de service autorisé afin d'éviter tout risque de sécurité. Ne l'utilisez surtout pas avant qu'il ne soit réparé.
- Après utilisation, rangez toujours l'adaptateur secteur

hors de la portée des enfants. Si les enfants jouent avec le cordon d'alimentation, ils encourent des risques de blessures.

Recharge à partir du port USB

Cette prise peut être utilisée pour charger un téléphone portable ou tout autre appareil utilisant moins de 2,1A de courant continu.

La charge ne se produira que lorsque le haut-parleur est allumé.

Remarque:

assurez-vous que les spécifications de votre périphérique externe, tel qu'un téléphone portable ou un lecteur, soient compatibles avec le haut-parleur. Veuillez lire le manuel d'instructions de votre appareil externe avant de charger.

IMPORTANT:

- Avant de brancher votre appareil USB au chargeur, sauvegardez toujours vos données enregistrées sur l'appareil USB. Dans le cas contraire, vous risquez de les perdre par accident.
- Il est possible que le chargeur ne puisse pas alimenter certains appareils USB.
- Retirez le câble USB et fermez le clapet lorsque vous ne l'utilisez pas ou lorsque la charge est terminée.
- Ne branchez pas de source d'alimentation dans le port USB. Il y a risque d'incendie. Le port USB est destiné uniquement à la recharge d'appareils de faible tension. Placez toujours le couvercle sur le port USB lorsque vous ne rechargez pas d'appareils de faible tension.
- N'insérez pas de clou, fil, etc., dans le port USB. Vous pourriez provoquer un court-circuit et déclencher un incendie et la formation de fumée.
- Ne branchez pas cette prise USB dans le port USB de votre PC, au risque de provoquer une panne des appareils.

Écouter de la musique via le streaming Bluetooth

Vous devez coupler votre appareil Bluetooth avec le haut-parleur avant que vous puissiez le relier automatiquement pour lire/diffuser de la musique Bluetooth via le haut-parleur. Le couplage crée un « lien » afin que deux appareils puissent se reconnaître mutuellement.

Remarque:

Pour avoir une meilleure qualité sonore, nous vous conseillons de régler le volume à plus des deux tiers sur votre appareil Bluetooth, puis ajustez le volume sur le haut-parleur au besoin.

Couplage de votre appareil Bluetooth pour la première fois

1. Appuyez sur le bouton d'alimentation pour allumer l'appareil. Le message « Couplage en cours »

Lecture de fichiers audio en mode Bluetooth

Lorsque vous avez correctement connecté votre haut-parleur avec l'appareil Bluetooth de votre choix, vous pouvez commencer à lire votre musique en utilisant les contrôles sur votre appareil Bluetooth connecté.

1. Une fois que la lecture a commencé, réglez le volume sur la valeur souhaitée en utilisant les boutons de volume de votre haut-parleur ou sur votre appareil avec Bluetooth activé.
2. Utilisez les contrôles de votre périphérique Bluetooth pour lire/mettre en pause et parcourir les pistes. Vous pouvez également contrôler la lecture à l'aide des boutons Lecture/Pause, Piste suivante et Piste précédente de votre haut-parleur.
3. Maintenez enfoncés le bouton Avance rapide ou le bouton de rembobinage pour vous déplacer dans la piste en cours. Relâchez le bouton lorsque le point souhaité est atteint.

Remarque:

- Toutes les applications de lecture ou les périphériques ne peuvent répondre à l'ensemble de ces contrôles.
- Certains téléphones mobiles peuvent se déconnecter temporairement de votre haut-parleur lorsque vous donnez ou recevez des appels. Certains appareils peuvent couper temporairement leur streaming audio Bluetooth quand ils reçoivent des messages texte, e-mails ou pour d'autres raisons non liées au comportement du streaming audio. Ce comportement est une fonction de l'appareil connecté et ne constitue pas un défaut de votre haut-parleur.
- L'écran affichera les informations sur la piste telles que le titre, l'artiste, l'album, etc., lors de la lecture en mode Bluetooth.

Lecture d'un périphérique source Bluetooth précédemment couplé

Votre haut-parleur peut mémoriser jusqu'à 8 appareils couplés, lorsque la mémoire dépasse ce nombre, le premier appareil couplé sera remplacé. Si votre appareil Bluetooth a déjà été couplé avec le haut-parleur précédemment, l'unité mémorisera votre appareil Bluetooth et essaiera de se reconnecter avec l'appareil qui a été le dernier connecté enregistré en mémoire. Si le dernier appareil connecté n'est pas disponible, le haut-parleur ne sera pas détectable.

Déconnecter votre appareil Bluetooth

Appuyez sur le bouton de couplage Bluetooth et maintenez-le enfoncé pendant 2-3 secondes jusqu'à ce que « Couplage en cours » apparaisse pour vous déconnecter de votre périphérique Bluetooth ou désactiver le Bluetooth sur votre appareil.

apparaîtra sur l'écran pour indiquer que le haut-parleur est détectable.

2. Activez le Bluetooth sur votre appareil conformément au manuel d'instruction pour le relier à votre haut-parleur. Situez la liste des appareils Bluetooth et choisissez l'appareil nommé « DMR203 ». Avec certains portables (équipés de versions antérieures aux appareils Bluetooth BT2.1), vous devrez saisir un mot de passe « 0000 ».
3. Une fois connecté, vous entendrez une tonalité de confirmation. « Couplé » apparaîtra à l'écran. Vous pouvez simplement sélectionner et lire n'importe quelle musique à partir de votre appareil source. Le contrôle du volume peut être réglé à partir de votre appareil source ou directement à partir du haut-parleur.
4. Utilisez les commandes de votre appareil compatible Bluetooth ou du haut-parleur pour lire/mettre en pause et parcourir les pistes.

Remarque:

- Si 2 appareils Bluetooth, effectuent le couplage pour la première fois, les deux à la fois rechercheront le haut-parleur. Il sera affiché la disponibilité sur les deux appareils. Toutefois, si l'un des appareils se lie avec cet appareil d'abord, l'autre appareil Bluetooth ne la trouvera pas sur la liste.
- Si votre périphérique Bluetooth est temporairement déconnecté du haut-parleur, alors vous devez reconnecter manuellement votre appareil à nouveau avec le haut-parleur.
- Si « DMR203 » est affiché dans votre liste d'appareils Bluetooth, mais que votre appareil ne peut pas se connecter avec lui, veuillez supprimer l'élément de votre liste et coupez de nouveau l'appareil avec le haut-parleur en suivant les étapes décrites précédemment.
- La portée de fonctionnement optimale du Bluetooth est d'environ 10 mètres (30 pieds) (ligne de visée) vers le haut-parleur, mais une distance de jusqu'à 30 mètres (100 pieds) est possible.
- Si la connexion Bluetooth est perdue en raison d'une durée de déconnexion trop longue, d'un dépassement de la portée, de présence d'obstacles ou autres il peut être nécessaire de reconnecter votre appareil au haut-parleur.
- Les obstacles physiques, les autres appareils sans fil ou les appareils électromagnétiques peuvent affecter la qualité de la connexion.
- La performance de connectivité Bluetooth peut varier en fonction des appareils Bluetooth connectés. Référez-vous aux fonctionnalités Bluetooth de votre appareil avant de connecter votre haut-parleur. Toutes les fonctions ne seront peut-être pas compatibles sur certains appareils Bluetooth.

Suppression de la mémoire de l'appareil Bluetooth couplé

Pour effacer la mémoire de tous les périphériques couplés, maintenez le bouton de couplage Bluetooth enfoncé pendant plus de 5 secondes jusqu'à ce que vous entendiez deux bips.

FONCTION TRUE WIRELESS STEREO (TWS)

La technologie True Wireless Stereo (TWS) est une fonctionnalité qui permet à un périphérique de se connecter à un autre périphérique via le sans-fil. Vous pouvez utiliser la fonction TWS pour le connecter à un second DMR203 et écouter votre musique via deux haut-parleurs.

Configuration du premier haut-parleur

1. Assurez-vous que le premier haut-parleur soit en mode Bluetooth et connectez-vous à un périphérique Bluetooth.
2. Appuyez sur le bouton Plus, l'écran indiquera **[ST] • [MULTI]**. **[ST]** clignotera à l'écran. Appuyez sur le bouton Plus pour entrer dans le mode « Couplage ST ». Si vous n'appuyez sur aucun bouton pendant 10 secondes, le haut-parleur passera également en mode « Couplage ST ». L'écran affichera « Couplage ST » et « Couplage » clignotera pendant 1 minute.

Configuration du deuxième haut-parleur

1. Assurez-vous qu'un deuxième haut-parleur soit en mode Bluetooth.
2. Appuyez sur le bouton Plus, l'écran indiquera **[ST] • [MULTI]**. **[ST]** clignotera à l'écran. Appuyez sur le bouton Plus pour entrer dans le mode « Couplage ST ». Si vous n'appuyez sur aucun bouton pendant 10 secondes, le haut-parleur passera également en mode « Couplage ST ». Une fois la connexion établie avec succès, **[L - ST] • R** s'affichera sur les deux écrans en même temps. Le paramètre EQ repassera en mode Plat (réglage initial).

Remarque:

configurez le deuxième haut-parleur dans la minute qui suit. Si vous ne le configurez pas dans un délai d'une minute, le réglage du premier haut-parleur sera annulé.

Lancer la lecture

1. Démarrez la lecture sur le périphérique Bluetooth connecté et réglez le volume sur le périphérique Bluetooth ou l'un des haut-parleurs pour une écoute confortable.

Remarque:

le réglage du volume ou de l'égaliseur (grave, médium et aigu) d'un haut-parleur est répercuté sur l'autre.

2. Utilisez les commandes de votre périphérique Bluetooth pour lire/mettre en pause et parcourir les pistes. Vous pouvez également contrôler la lecture à l'aide des boutons Lecture/Pause, Piste suivante et Piste précédente de l'un des haut-parleurs. L'écran du premier haut-parleur affichera les informations sur la piste telles que le titre, l'artiste, l'album, etc.
3. Maintenez enfoncé le bouton Avance rapide ou le bouton Rembobinage de l'un des haut-parleur pour parcourir la piste en cours. Relâchez le bouton lorsque le point souhaité est atteint.

Changer le mode audio

1. En utilisant deux haut-parleurs, vous pouvez basculer entre les modes **[L - ST] • R**, **R - [ST] • L** et **[L - ST] • L**.
2. Appuyez sur le bouton L/R de l'un ou de l'autre haut-parleur pour changer le mode audio.
3. **Mode [L - ST] • R** : les deux haut-parleurs jouent la même bande sonore. C'est le réglage initial.
4. **Mode [R - ST] • R** et **[L - ST] • L** **mode** : un haut-parleur lit le son sur le canal droit, tandis que l'autre lit le son sur le canal gauche pour une lecture stéréo entre les haut-parleurs.

Déconnexion de la fonction TWS

Appuyez sur le bouton Plus et maintenez-le enfoncé pour désactiver la fonction TWS.

PROFITER DE LA LECTURE SANS FIL À L'AIDE DE MULTIPLES HAUT-PARLEURS

Vous pouvez écouter de la musique simultanément en combinant jusqu'à 10 appareils compatibles avec cette fonction.

Configuration du premier haut-parleur

1. Assurez-vous que le premier haut-parleur soit en mode Bluetooth et connectez-vous à un périphérique Bluetooth.
2. Appuyez sur le bouton Plus, l'écran indiquera **[ST] • [MULTI]**.
3. Sélectionnez **[MULTI]** en appuyant dur le bouton L/R. **[MULTI]** clignotera à l'écran. Appuyez sur le bouton Plus pour entrer dans le mode « Couplage MULTI ». Si vous n'appuyez sur aucun bouton pendant 10 secondes, le haut-parleur passera également en mode « Couplage MULTI ». L'écran affichera « Couplage MULTI » et « Couplage » clignotera pendant 1 minute.

Configuration du deuxième et de plusieurs haut-parleurs

1. Assurez-vous que plusieurs haut-parleurs soient en mode Bluetooth.
2. Appuyez sur le bouton Plus, l'écran indiquera **[ST] • [MULTI]**.

3. Sélectionnez **[MULTI]** en appuyant dur le bouton L/R. **[MULTI]** clignotera à l'écran. Appuyez sur le bouton Plus pour entrer dans le mode « Couplage MULTI ». Si vous n'appuyez sur aucun bouton pendant 10 secondes, le haut-parleur passera également en mode « Couplage MULTI ». Une fois la connexion établie avec succès, "PARENT" (enceinte maître/principal) s'affichera sur le premier haut-parleur et "CHILD" (enceinte secondaire) sur le deuxième. Le paramètre EQ repassera en mode Plat (réglage initial).

Remarque:

configurez le deuxième et les autres haut-parleurs dans la minute qui suit la configuration du premier haut-parleur. Si vous ne le configurez pas dans un délai d'une minute, le haut-parleur ne pourra pas être connecté.

Ajouter un nouveau haut-parleur esclave

Si vous souhaitez ajouter un autre haut-parleur après la connexion, procédez comme suit:

1. Assurez-vous que le nouveau haut-parleur soit en mode Bluetooth.
2. Appuyez sur le bouton Plus du haut-parleur principale (Maître). L'écran affichera « MULTI AJOUT » et « AJOUTER » clignotera à l'écran.
3. Appuyez sur le bouton Plus du nouveau haut-parleur, l'écran affichera **[ST] • [MULTI]**.
4. Sélectionnez **[MULTI]** en appuyant sur le bouton L/R. **[MULTI]** clignotera à l'écran. Appuyez sur le bouton Plus pour entrer dans le mode « Couplage MULTI ». Si vous n'appuyez sur aucune touche pendant 10 secondes, le haut-parleur passera également en mode « Couplage MULTI ». Lorsque la connexion est établie, "CHILD" (enceinte secondaire) s'affichera sur le nouveau haut-parleur. Le paramètre EQ repassera en mode plat (réglage initial).

Lancer la lecture

1. Démarrez la lecture sur le périphérique Bluetooth connecté et réglez le volume sur le périphérique Bluetooth ou l'un des haut-parleurs pour une écoute confortable. La même musique sera jouée par tous les haut-parleurs.

Remarque:

- uniquement pour le haut-parleur principale, le réglage du volume ou de l'égaliseur (excluant les paramètres grave, médium et aigu) d'un haut-parleur est répercuté sur les autres. Pour les autres haut-parleurs, ajustez le volume ou l'égaliseur individuellement avec chaque haut-parleur.
2. Utilisez les contrôles de votre périphérique Bluetooth pour lire/mettre en pause et parcourir les pistes. Vous pouvez également contrôler la lecture à l'aide des boutons Lecture/Pause, Piste suivante et Piste précédente du haut-parleur principal. L'écran du haut-

parleur principal affichera les informations sur la piste telles que le titre, l'artiste, l'album, etc.

3. Maintenez enfoncé le bouton Avance rapide ou le bouton Rembobinage du haut-parleur principal pour parcourir la piste en cours. Relâchez le bouton lorsque le point souhaité est atteint.

Déconnexion de plusieurs haut-parleurs

- Pour ne déconnecter qu'un seul haut-parleur esclave, maintenez enfoncé le bouton Plus du haut-parleur esclave que vous souhaitez déconnecter.
- Pour déconnecter toutes les connexions et quitter le groupe de plusieurs haut-parleurs, maintenez enfoncé le bouton Plus du haut-parleur principal.

Fonction égaliseur

1. Appuyez sur le bouton d'alimentation pour allumer votre haut-parleur.
2. Appuyez sur le bouton de réglage de l'EQ pour sélectionner le mode souhaité (FLAT (plat)/JAZZ/ROCK/CLASSIC (classique)/POP/NEWS (Nouveau)).
3. Pour configurer les graves, les médiums et les aigus, appuyez sur le bouton de réglage de l'EQ jusqu'à ce que « graves » clignote à l'écran.
4. Appuyez sur le bouton Volume haut/bas pour sélectionner le niveau de graves souhaité. Appuyez sur le bouton de réglage EQ pour confirmer le réglage et passer au paramètre « Mid » (médiums).
5. Appuyez sur le bouton Volume haut/bas pour sélectionner le niveau de médiums requis. Appuyez sur le bouton de réglage de l'EQ pour confirmer le réglage et passer au paramètre « Tre » (Aigus).
6. Appuyez sur le bouton Volume haut/bas pour sélectionner le niveau des aigus souhaité. Appuyez sur le bouton de réglage de l'EQ pour confirmer le réglage.

Jouer de la musique via une prise d'entrée auxiliaire

Une prise d'entrée auxiliaire de 3,5 mm est fournie sur le côté droit de l'appareil pour permettre à un signal audio d'être transmis à l'appareil à partir de tout périphérique doté d'un casque ou d'une sortie audio, tel qu'un lecteur MP3 ou CD.

1. Connectez une source audio stéréo ou mono (lecteur MP3 ou CD, par exemple) à la prise d'entrée auxiliaire (marquée « AUX IN »). Le haut-parleur passera du mode Bluetooth au mode d'entrée auxiliaire.
2. Réglez le contrôle du volume de votre lecteur MP3 ou CD pour assurer un signal adéquat, puis réglez le volume sur le haut-parleur pour une écoute confortable.

Remarque:

Pour obtenir une meilleure qualité sonore, nous vous recommandons de régler le volume sur plus des deux

tiers sur votre périphérique audio, puis de régler le volume sur le haut-parleur selon les besoins.

L'écran n'indiquera pas les informations telles que le titre, l'artiste, l'album, etc., lors de la lecture via la prise d'entrée auxiliaire.

ENTRETIEN

⚠ MISE EN GARDE:

- N'utilisez jamais d'essence, de benzine, de diluant, d'alcool ou produits similaires. Cela pourrait entraîner une décoloration, une déformation ou des fissures.
- Ne lavez pas le haut-parleur avec de l'eau.

SPÉCIFICATION

Amplificateur	
Puissance de sortie	10,8V-12Vmax: 3,5W 14,4V: 6W 18V: 10W
Fréquence des réponses	50Hz~20kHz
Aux In	
Sensibilité d'entrée	250mVrms @100Hz
Haut-parleur	
Haut-parleur principal	101,6mm 8ohm 10W
Haut-parleur tweeter	36mm 8ohm 10W

Bluetooth®	
(La marque et les logos Bluetooth® sont des marques commerciales déposées appartenant à Bluetooth SIG, Inc.)	
Version du Bluetooth	Certifié 5.0
Profils du Bluetooth	A2DP/SCMS-T/AVRCP
Puissance de transmission	Classe 2 de puissance
Portée de transmission	Optimum: Max.de 10 mètres (33 pieds) Possible: Max.de 30 mètres (100 pieds) (varie selon les conditions d'utilisation)
Codec pris en charge	SBC
Profil Bluetooth compatible	A2DP/AVRCP
Puissance maximale de des fréquences du haut-parleur	BT EDR: 3.08dBm BT LE: 3.88dBm
Fréquence de fonctionnement	2402MHz~2480MHz

Prise de charge USB	
Puissance d'alimentation maximale de la prise USB	5V, 2,1A

Général	
Adaptateur secteur	12V et 1,5A en CC, broche centrale positive
Batterie	Batterie coulissante: 10,8V-12Vmax 14,4V 18V
Dimensions(l x H x P)	206mm × 199mm × 217mm
Poids	2,7Kg (sans la batterie)

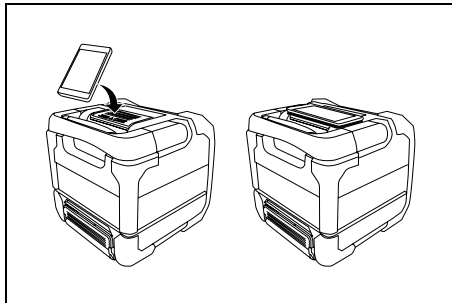
L'entreprise se réserve le droit de modifier les spécifications sans préavis.

ESPAÑOL

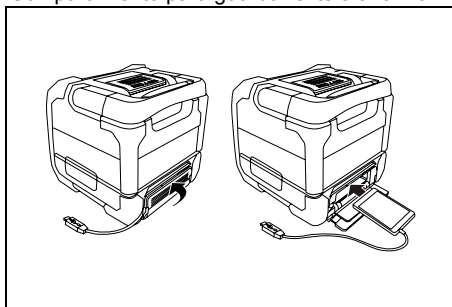
(Instrucciones originales)

EXPLICACIÓN DE LA VISTA GENERAL (Fig. 1)

1. Compartimiento de la batería/Panel para colocar el teléfono móvil (celular)



2. Asa
3. Toma de entrada de CC
4. Toma de entrada auxiliar
5. Toma de carga USB
6. Altavoz
7. Pantalla LCD
8. Botón de subir volumen
9. Botón de bajar volumen
10. Botón Plus (botón de vinculación Plus)
11. Botón L/R (izquierda/derecha)
12. Botón de siguiente pista/avance rápido
13. Botón de reproducir/pausar
14. Botón de pista anterior/rebobinar
15. Botón de vinculación Bluetooth
16. Botón de control del ecualizador
17. Botón de encendido
18. Compartimiento para guardar el teléfono móvil



19. Terminal de la batería 14,4V/18V
20. Terminal de la batería 10,8V-12V máx.
21. Cubierta del compartimiento para guardar el teléfono móvil
22. Agujero para el cable

SÍMBOLOS

Lo siguiente muestra los símbolos usados por el equipo. Asegúrese de que entiende su significado, antes de usar el equipo.



Lea el manual de instrucciones.

INSTRUCCIONES IMPORTANTES DE SEGURIDAD

⚠ ADVERTENCIA:

Cuando utilice herramientas eléctricas, para reducir el riesgo de incendio, descarga eléctrica y lesiones personales, siga siempre las precauciones básicas de seguridad, incluyendo lo siguiente:

1. Lea el manual de instrucciones y el manual de instrucciones del cargador detenidamente antes de usarlos.
2. Limpie el equipo solo con un paño seco.
3. No instale cerca de fuentes de calor, como radiadores, estufas, fuegos de cocina u otros aparatos (incluyendo amplificadores) que produzcan calor.
4. Utilice únicamente accesorios especificados por el fabricante.
5. Desenchufe este aparato durante las tormentas o cuando no vaya a usarlo por un periodo prolongado.
6. Un altavoz que funcione por medio de baterías bien integradas o bien independientes, solo debe cargarse con el cargador específico para la batería. Un cargador adecuado para un tipo de batería, puede crear riesgo de incendio cuando se usa con otra batería.
7. Use un altavoz que funcione por medio de baterías solo con baterías específicamente diseñadas. El uso de otras baterías podría crear riesgo de incendio.
8. Cuando la batería no esté en uso, manténgala alejada de otros objetos metálicos como: clips, monedas, llaves, clavos, tornillos u otros objetos metálicos pequeños que pudieran crear conexiones de un terminal a otro. El contacto entre sí de los terminales de las baterías puede provocar chispas, quemaduras o fuego.
9. Evite contacto corporal con superficies conectadas a tierra como tuberías, radiadores, estufas y refrigeradores. Hay un incremento del riesgo de descarga eléctrica si su cuerpo está conectado a tierra.
10. En condiciones abusivas, puede que de la batería se expulse líquido, evite el contacto. Si de forma accidental entra en contacto con el líquido, enjuague con agua. Si el líquido entrase en contacto con los ojos, busque ayuda médica. El líquido expulsado de la batería puede causar irritación o quemaduras.
11. No use una batería u una herramienta dañada o modificada. Las baterías dañadas o modificadas puede presentar un comportamiento impredecible causando incendios, explosiones y riesgos de lesiones.

12. No exponga la batería o herramienta al fuego o a temperaturas excesivas. La exposición al fuego o a temperaturas mayores que 130°C (266°F) podrían causar una explosión.
13. Siga todas las instrucciones de carga y no cargue la batería o la herramienta fuera del rango de temperatura especificado en las instrucciones. Cargar incorrectamente o a temperaturas fuera del rango especificado podrían dañar la batería e incrementar el riesgo de fuego.
14. El enchufe principal de la red eléctrica se utiliza como dispositivo de desconexión, y debe estar siempre disponible.
15. No use este producto a volumen alto durante un periodo prolongado. Para evitar daños auditivos, use este producto a un nivel de volumen moderado.
16. (Solo para productos con pantalla LCD) Las pantallas LCD incluyen líquidos que pueden causar irritación y envenenamiento. Si el líquido entrase en contacto con los ojos, boca o piel, enjuague con agua y llame a un médico.
17. No exponga el producto a condiciones de lluvia o humedad. El agua que entre al producto incrementará el riesgo de descarga eléctrica.
18. Este aparato no es apto para su uso por personas (niños incluidos) con las capacidades físicas, sensoriales o mentales disminuidas, o por personas que carezcan de experiencia y conocimiento, a no ser que alguien que sea responsable de su seguridad, les esté supervisando o les explique cómo deben usar el aparato. Los niños deben ser supervisados para asegurarse de que no jueguen con el producto. Guarde el producto lejos del alcance de los niños.
19. No caliente ni exponga el altavoz al fuego o lo deje en un lugar caliente como cerca de una fuente de calor, expuesto a la luz solar directa o dentro de un vehículo bajo un sol abrasador. Hacer esto puede causar un incendio o explosión y provocar lesiones personales.
- quemaduras o incluso una explosión.
4. Si el electrolito entra en contacto con los ojos, lávelos con agua limpia y busque atención médica de inmediato. Podría dar como resultado la pérdida de visión.
5. No haga un cortocircuito con el cartucho de batería:
 - (1) No toque los terminales con un material conductor.
 - (2) Evite almacenar el cartucho de batería en recipientes con otros objetos metálicos como clavos, monedas, etc.
 - (3) No exponga la batería al agua o lluvia. Un cortocircuito en la batería puede producir un gran flujo, sobrecalentamiento, posibles quemaduras e incluso una avería.
6. No guarde la herramienta ni el cartucho de batería en lugares donde la temperatura pueda llegar a o superar los 50°C (122°F).
7. No incinere el cartucho de batería incluso si está muy dañado o completamente desgastado. El cartucho de batería podría explotar en el fuego.
8. Tenga cuidado de no dejar caer o golpear la batería.
9. No use una batería dañada.
10. Para evitar riesgos, lea antes de su uso el manual de la batería reemplazable. Y la corriente máxima de descarga de la batería debe ser igual o mayor a 8 A.
11. Las baterías de iones de litio están sujetas a los requisitos de la Legislación de mercancías peligrosas. Para su transporte comercial, como por ejemplo por terceros o transportistas, deben respetarse los requisitos especiales del embalaje y etiquetado. Para la preparación del artículo para su envío, se requiere consultar a un experto en materiales peligrosos. Acate también las, posiblemente más detalladas, regulaciones nacionales. Cubra los contactos abiertos y empaque la batería de tal manera que no se pueda mover en el embalaje.
12. Al tirar la batería, retírela de la herramienta y deshágase de ella en un lugar seguro. Siga las regulaciones locales sobre la eliminación de baterías.
13. Use las baterías solo con los productos especificados por Makita. La instalación de las baterías con productos no conformes podría resultar en un incendio, calor excesivo, explosión o fuga de electrolitos.
14. Si la herramienta no va a ser usada durante un periodo prolongado de tiempo, debe retirar la batería de ella.

GUARDE ESTAS INSTRUCCIONES

REGLAS ESPECÍFICAS DE SEGURIDAD

PARA EL CARTUCHO DE BATERÍA

1. Antes de utilizar el cartucho de batería, lea todas las instrucciones y advertencias en (1) el cargador de la batería, (2) la baterías, (3) el producto que usa la batería.
2. No desmonte el cartucho de batería.
3. Si el tiempo de funcionamiento se ha vuelto excesivamente corto, pare inmediatamente Puede haber riesgo de sobrecalentamiento, posibles

⚠ PRECAUCIÓN:

- **Peligro de explosión si la batería se coloca incorrectamente.**
- **Reemplace solo con una del mismo tipo o uno equivalente.**
- **Use solo baterías originales Makita. El uso de baterías Makita no originales o de baterías que hayan sido alteradas podría provocar la explosión**

de la batería causando incendios, lesiones personales y daños. También anulará la garantía de Makita para la herramienta de Makita y el cargador.

Consejos para mantener al máximo la vida útil de la batería

1. Cargue el cartucho de batería antes de que se descargue completamente. Deje de usar la herramienta y cargue la batería cuando note que la batería tiene menos potencia.
2. Nunca cargue un cartucho de batería que esté totalmente cargado. La sobrecarga reduce la vida útil de la batería.
3. Cargue el cartucho de batería con una temperatura ambiente de entre 10 y 40 grados centígrados (50°F - 104°F). Antes de cargarla, deje que una batería que esté caliente se enfríe.
4. Cargue el cartucho de batería si no lo usa durante un largo periodo de tiempo (más de seis meses).

Para Canadá:

Precauciones para el usuario

Los cambios o modificaciones que no hayan sido expresamente autorizados por la entidad responsable por el cumplimiento de las regulaciones podrían anular la autoridad del usuario de utilizar este equipo. Declaraciones sobre la exposición de.

radiofrecuencia (RF)

Para cumplir con los requisitos de exposición humana a los campos de radiofrecuencia (RF) de la IC, la o las antenas usadas para este transmisor deben instalarse a una distancia mínima de 20 centímetros de cualquier persona y no deben ser colocadas ni funcionar junto a otras antenas o transmisores. No se permite ningún cambio en la antena o dispositivo. Cualquier cambio en la antena o dispositivo podría resultar en el dispositivo excediendo los requisitos de exposición humana a los campos de radiofrecuencia y anular la autoridad del usuario para operar el dispositivo.

Este dispositivo cumple con el/los estándar(es) RSS para estar exento de licencia para la industria canadiense.

La operación queda sujeta a las siguientes dos condiciones: (1) este dispositivo no deberá causar interferencia y (2) este dispositivo debe aceptar cualquier interferencia recibida, incluyendo la que pueda originar un desempeño indeseable del dispositivo.

TIEMPO DE FUNCIONAMIENTO

* Las baterías adecuadas para este altavoz se enumeran en la siguiente tabla.

* La siguiente tabla indica el tiempo de uso con una sola carga.

Capacidad de la batería	Voltaje de la batería			CON LA SALIDA DEL ALTAVOZ = 100mW Unidad: hora (aproximadamente)	
	10.8V-12Vmáx.	14.4V	18V	Bluetooth	AUX IN
1.3Ah		BL1415*		5.5	6.5
			BL1815*	6.0	6.5
1.5Ah	BL1016			8.5	9.5
		BL1415N*		7.5	8.5
			BL1815N	7.5	8.5
2.0Ah	BL1021B			11	12
			BL1820* BL1820B	10	11
3.0Ah		BL1430* BL1430B		13	14
			BL1830 BL1830B	14	16
4.0Ah	BL1041B			22	25
		BL1440*		20	22
			BL1840* BL1840B	20	22
5.0Ah		BL1450*		24	27
			BL1850* BL1850B	26	29
6.0Ah		BL1460B*		27	30
			BL1860B	32	35

ADVERTENCIA:

Solo use las baterías indicadas anteriormente. El uso de cualquier otra batería podría causar lesiones o fuego.

Nota:

- La tabla sobre el tiempo de funcionamiento de la batería es para referencia.
- El tiempo de funcionamiento real puede diferir según el tipo de batería, condiciones de carga o entorno de uso.

INSTALACIÓN Y ALIMENTACIÓN

al final del número de modelo

⚠ PRECAUCIÓN:

- Tenga cuidado de no pellizcarse los dedos al abrir y cerrar la tapa de la batería.
- Tras instalar o retirar la batería, devuelva el compartimento de la batería a su posición inicial. De lo contrario la batería podría caerse accidentalmente de el altavoz y causar lesiones a usted o a gente a su alrededor.
- Antes de mover el altavoz cierre y boquee siempre el compartimento de la batería.
- Antes de instalar o retirar la batería, apague siempre el altavoz.
- Tenga cuidado de no dejar caer o golpear el altavoz. Una carcasa rota podría cortarle los dedos o clavarse en su cuerpo. Un altavoz dañado puede tener un comportamiento impredecible que podría resultar en fuego, explosiones o riesgo de lesiones.
- Al colocar o retirar la batería, sujete el altavoz y la batería firmemente. Si no sostiene el altavoz y la batería con firmeza, es posible que se le salgan de las manos y provoque daños en el altavoz y en la batería, además de lesiones personales.

IMPORTANTE:

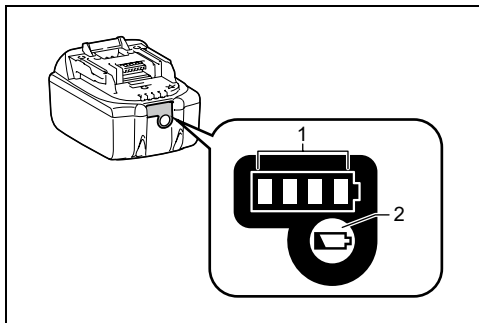
- Potencia reducida, distorsión, un sonido con cierta "tartamudez" o que en pantalla aparezca "low battery" (batería baja), son señales de que las baterías deben reemplazarse.
- La batería no puede cargarse mediante el adaptador de alimentación de CA suministrado.
- La batería no se incluye como accesorio estándar.

Instalación o retirada del cartucho de batería (fig. 3 y 4)

- Para instalar el cartucho de batería, alinee la lengüeta en el cartucho de batería con la ranura en la carcasa y deslícela a su lugar. Siempre insértela hasta que encaje en su sitio con un pequeño clic.
- Si puede ver el indicador rojo de la zona superior del botón, significa que el cartucho no está encajado completamente. Instáelo completamente hasta que el indicador rojo no esté visible. De lo contrario, el cartucho puede desprenderse accidentalmente del altavoz y causar lesiones al operario o a alguna persona que se encuentre cerca.
- No use la fuerza al insertar el cartucho de batería. Si el cartucho no se desliza fácilmente es que no se está insertando correctamente.
- Para retirar la batería, deslícela del altavoz mientras presiona el botón en la parte frontal de la misma.

Indicaciones de la batería restante

* Solo para cartuchos de batería que tengan una "B"



➤ 1. Luces indicadoras 2. Botón de comprobación
Presione el botón en el cartucho de batería para mostrar la batería restante. Las luces indicadoras se encenderán por unos segundos.

• Baterías 14,4V/18V

Luces indicadoras			Capacidad restante
Iluminado	Apagado	Parpadeando	
■	□	◐	75% ~ 100%
■ ■ ■ ■			
■	□	◐	50% ~ 75%
■ ■ ■ □			
■	□	◐	25% ~ 50%
■ ■ □ □			
■	□	◐	0% ~ 25%
■ □ □ □			
◐	□	□	Cargue la batería
■ ■ □ □	↑ ↓	■ ■	La batería puede haber funcionado mal

• Baterías 10,8V-12V máx.

Luces indicadoras			Capacidad restante
Iluminado	Apagado	Parpadeando	
■	□	◐	75% ~ 100%
■ ■ ■ ■			
■	□	◐	50% ~ 75%
■ ■ ■ □			
■	□	◐	25% ~ 50%
■ ■ □ □			
■	□	◐	0% ~ 25%
■ □ □ □			

NOTA:

Dependiendo de las condiciones de uso y de la

temperatura ambiente, la indicación puede diferir ligeramente de la capacidad real.

Usando el adaptador de CA suministrado

Retire el protector de goma e inserte la clavija del adaptador en la toma de CC en la parte derecha del altavoz. Enchufe el adaptador a una toma de corriente estándar. Cuando el adaptador se usa, la batería se desconecta automáticamente.

⚠ PRECAUCIÓN:

- **Desconecte siempre completamente el adaptador de alimentación de CA antes de mover el altavoz. Si no se retira el adaptador de CA, podría causar una descarga eléctrica.**
- **Nunca tire o arrastre el cable del adaptador. De lo contrario, el altavoz podría caerse de forma accidental causándole lesiones a usted o a gente a su alrededor.**

IMPORTANTE:

- El adaptador de corriente se emplea como medio de desconexión de el altavoz de la toma de alimentación. La toma de alimentación usada con el altavoz deberá permanecer accesible durante su uso.
- Para desconectar el altavoz, el adaptador de la red eléctrica debe retirarse por completo de la toma de corriente.
- Use solo el adaptador de alimentación de CA suministrado con el producto o especificado por Makita.
- No sujete el cable de alimentación y enchufe con la boca. Hacerlo podría causar una descarga eléctrica.
- No toque el enchufe de corriente con las manos mojadas o grasosas.
- Unos cables dañados o enredados incrementan el riesgo de descarga eléctrica. Si el cable está dañado, haga que su centro de servicio autorizado lo reemplace para evitar riesgos para la seguridad. No lo use antes de la reparación.
- Tras el uso, guarde siempre el adaptador de alimentación de CA fuera del alcance de los niños. Si los niños juegasen con el cable, podrían sufrir lesiones.

Toma de corriente USB

Esta toma puede usarse para cargar un teléfono móvil o cualquier otro dispositivo que use menos de 2.1A de CC. Solo se cargará cuando el altavoz esté encendido.

Nota:

Asegúrese de que la especificación de su dispositivo externo, como teléfono móvil o reproductor, sea compatible con el altavoz. Lea el manual de instrucciones de su dispositivo externo antes de cargarlo.

IMPORTANTE:

- Antes de conectar el dispositivo USB al cargador, haga siempre una copia de seguridad de los datos del

dispositivo USB. De lo contrario, su información podría perderse.

- El cargador puede que no suministre energía a algunos dispositivos USB.
- Cuando no lo use, o tras cargar, retire el cable USB y cierre la cubierta.
- No conecte la fuente de alimentación al puerto USB. De lo contrario puede haber riesgo de fuego. El puerto USB es solo para cargar dispositivos de bajo voltaje. Cuando no esté cargando el dispositivo de bajo voltaje, coloque siempre la cubierta en el puerto USB.
- No inserte un clavo, cable, etc. en el puerto de alimentación USB. De lo contrario, un cortocircuito podría causar humo y fuego.
- No conecte esta toma USB al puerto USB del PC, ya que es muy probable que esto pueda causar daños en las unidades.

ESCUCHAR MÚSICA A TRAVÉS DE TRANSMISIÓN BLUETOOTH

Antes de poder enlazarse automáticamente para reproducir/transmitir música Bluetooth a través del altavoz, necesita vincular su dispositivo Bluetooth con el altavoz. La vinculación crea un "vínculo" para que dos dispositivos se reconozcan mutuamente.

Nota:

Para tener una mejor calidad de sonido, recomendamos que ajuste el volumen en su dispositivo Bluetooth a más de dos tercios y a continuación, ajuste el volumen en el altavoz como necesite.

Vincular su dispositivo Bluetooth por vez primera

1. Presione el botón de encendido para encender el altavoz. En pantalla se mostrará "Pairing" (vinculando) para indicar que el altavoz es visible.
2. Active el Bluetooth de su dispositivo según su manual del usuario para enlazar con el altavoz. Localice la lista de dispositivos Bluetooth y seleccione el que lleve por nombre "DMR203". (Algunos dispositivos móviles equipados con versiones de Bluetooth anteriores a la BT2.1, puede que sea necesario introducir las contraseña "0000").
3. Una vez conectado, habrá un tono de confirmación. En pantalla se mostrará "Paired" (vinculado). Ahora puede simplemente seleccionar y reproducir cualquier música desde el dispositivo fuente. El control de volumen puede ajustarse desde su dispositivo fuente o directamente desde el altavoz.
4. Use los controles de su dispositivo con función de Bluetooth o los del altavoz para reproducir/dejar en pausa y navegar por las pistas.

Nota:

- Si dos dispositivos Bluetooth, vinculándose por primera vez, buscan el altavoz, este se mostrará disponible para ambos dispositivos. Sin embargo, si un dispositivo se enlaza con esta unidad primero, entonces el otro dispositivo Bluetooth no lo encontrará en la lista.
- Si su dispositivo Bluetooth se desconecta temporalmente de su altavoz, entonces, deberá reconectar su dispositivo al altavoz de forma manual.
- Si “DMR203” aparece en la lista de su dispositivo Bluetooth, pero no puede conectarse a él, borre el elemento de la lista y vincule de nuevo el dispositivo con el altavoz, siguiendo los pasos descritos anteriormente.
- El rango óptimo de transmisión Bluetooth es de aproximadamente 10 metros (30 pies) (campo visual) a el altavoz, pero una distancia de hasta 30 metros (100 pies) es posible.
- Si se pierde la conexión Bluetooth debido a un exceso del tiempo de separación, de la distancia óptima, obstáculos u otros motivos, puede que sea necesario volver a conectar el dispositivo con el altavoz.
- Objetos físicos, otros dispositivos inalámbricos o dispositivos electromagnéticos pueden afectar la calidad de la conexión.
- La capacidad de la conectividad Bluetooth podría variar dependiendo del dispositivo Bluetooth que se haya conectado. Por favor, consulte las especificaciones Bluetooth de su dispositivo antes de conectarlo a su altavoz. Puede que no todas las funciones estuvieran disponibles en algunos dispositivos Bluetooth.

Reproducción de archivos de audio en el modo Bluetooth

Cuando haya conectado su altavoz con el dispositivo Bluetooth que haya elegido, ya podrá comenzar a reproducir su música usando los controles del dispositivo Bluetooth al que se haya conectado.

1. Una vez que la reproducción haya comenzado, ajuste el volumen al nivel deseado usando los botones de volumen en su altavoz o en su dispositivo Bluetooth.
2. Use los controles en su dispositivo Bluetooth para reproducir/pausar y navegar por las pistas. Alternativamente, controle la reproducción usando los botones de reproducir/pausar, siguiente pista y pista anterior en su altavoz.
3. Mantenga presionado el botón de avance rápido o rebobinado para moverse por la pista actual. Suelte el botón cuando llegue al punto deseado.

Nota:

- Que puede que no todos los reproductores o dispositivos respondan a todos los controles.
- Algunos teléfonos móviles puede que se desconecten temporalmente de su altavoz al realizar o recibir

llamadas. Algunos dispositivos puede que silencien temporalmente su transmisión de audio por Bluetooth cuando reciben mensajes de texto, correos electrónicos o por otros motivos ajenos a la transmisión de audio. Ese comportamiento es una función del dispositivo conectado y no indica un fallo en su altavoz.

- Cuando se reproduce en modo Bluetooth, la pantalla mostrará información de la pista como el título, artista, álbum etc.

Reproducir un dispositivo fuente Bluetooth previamente vinculado

DMR203 puede memorizar hasta 8 dispositivos emparejados. Cuando la memoria exceda esta cantidad, el primero de los dispositivos emparejados será sobrescrito. Si su dispositivo Bluetooth hubiera sido emparejado con el altavoz anteriormente, la unidad memorizará su dispositivo Bluetooth e intentará reconectarse con el dispositivo de la memoria con el que se conectó por última vez. Si el último dispositivo con el que se conectó no estuviera disponible, el altavoz será reconocible.

Desconexión de su dispositivo Bluetooth

Mantenga presionado el botón de vinculación Bluetooth durante 2-3 segundos hasta que “Pairing” (vinculando) se muestre en pantalla para desconectarse de su dispositivo Bluetooth, o desactive el Bluetooth en su dispositivo Bluetooth para deshabilitar la conexión.




Borrar la memoria de dispositivos Bluetooth vinculados

Para borrar la memoria de todos los dispositivos vinculados, mantenga presionado el botón de vinculación Bluetooth durante más de 5 segundos hasta que escuche dos pitidos.

FUNCIÓN TRUE WIRELESS STEREO (TWS)

La función True wireless stereo (TWS - estéreo inalámbrico auténtico) es una característica que permite que un dispositivo se conecte de forma inalámbrica con otro dispositivo. Puede usar la función TWS para conectar un segundo DMR203 y reproducir su música a través de dos altavoces.

Configuración del primer altavoz

1. Asegúrese de que el primer altavoz esté en modo Bluetooth y conéctelo a un dispositivo Bluetooth.
2. Presione el botón Plus, en pantalla se mostrará  .  parpadeará en la pantalla. Presione el botón Plus para entrar al modo de “ST Pair”

(vinculación ST). Si no se presiona ningún botón durante 10 segundos, el altavoz también se pondrá en modo "ST Pair" (vinculación ST). La pantalla mostrará "ST Pair" (vinculación ST) y "Pair" (vincular) parpadeará durante 1 minuto.

Configuración del segundo altavoz

1. Asegúrese de que el segundo altavoz esté en modo Bluetooth.
2. Presione el botón Plus, en pantalla se mostrará **[ST] • [MULTI]** . **[ST]** parpadeará en la pantalla. Presione el botón Plus para entrar al modo de "ST Pair" (vinculación ST). Si no se presiona ningún botón durante 10 segundos, el altavoz también se pondrá en modo "ST Pair" (vinculación ST). Cuando la conexión sea exitosa, **[L] - [ST] - [R]** se mostrará en ambas pantallas al mismo tiempo. Los ajustes del ecualizador volverán al modo plano (configuración inicial).

Nota:

Configure el segundo altavoz en 1 minuto. Si no lo configura en menos de 1 minuto, la configuración del primer altavoz se cancelará.

Comenzar la reproducción

1. Inicie la reproducción en el dispositivo Bluetooth conectado y ajuste el volumen en el dispositivo Bluetooth o en uno de los altavoces para una escucha agradable.

Nota:

El ajuste del volumen o del ecualizador (sin incluir graves/medios/agudos) de un altavoz se refleja en el otro.

2. Use los controles en su dispositivo Bluetooth para reproducir/pausar y navegar por las pistas. Alternativamente, controle la reproducción usando los botones de reproducir/pausar, siguiente pista y pista anterior en uno de los altavoces. La pantalla del primer altavoz mostrará información de la pista como el título, artista, álbum, etc.
3. Mantenga presionado el botón de avance rápido o rebobinado en uno de los altavoces para moverse por la pista actual. Suelte el botón cuando llegue al punto deseado.

Cambiar el modo de audio

1. Al usar dos altavoces, puede cambiar entre los modos **[L] - [ST] - [R]** , **[R] - [ST] - [L]** y **[L] - [ST] - [L]** .
2. Presione el botón L/R en cualquiera de los altavoces para cambiar el modo de audio.
3. **Modo [L] - [ST] - [R]** : Ambos altavoces reproducen el mismo sonido. Es la configuración inicial.
4. **Modo [R] - [ST] - [L]** y **[L] - [ST] - [L]** : Un altavoz reproduce el sonido en el canal derecho mientras que el otro altavoz reproduce el sonido en el canal izquierdo, para un reproducción estéreo entre los altavoces.

Desconectar la función TWS

Mantenga presionado el botón Plus para desconectar la función TWS.

DISFRUTE DE LA REPRODUCCIÓN INALÁMBRICA USANDO MÚLTIPLES ALTAVOCES

Puede disfrutar de la música al mismo tiempo combinando hasta 10 dispositivos que sean compatibles con esta función.

Configuración del primer altavoz

1. Asegúrese de que el primer altavoz esté en modo Bluetooth y conéctelo al dispositivo Bluetooth.
2. Presione el botón Plus, en pantalla se mostrará **[ST] • [MULTI]** .
3. Seleccione **[MULTI]** presionando el botón L/R. **[MULTI]** parpadeará en la pantalla. Presione el botón Plus para entrar al modo de "MULTI Pair" (vinculación múltiple). Si no se presiona ningún botón durante 10 segundos, el altavoz también se pondrá en modo "MULTI Pair" (vinculación múltiple). La pantalla mostrará "MULTI Pair" (vinculación múltiple) y "Pair" (vincular) parpadeará durante 1 minuto.

Conexión de los demás altavoces

1. Asegúrese de que todos los altavoces estén en modo Bluetooth.
2. Presione el botón Plus, en pantalla se mostrará **[ST] • [MULTI]** .
3. Seleccione **[MULTI]** presionando el botón L/R. **[MULTI]** parpadeará en la pantalla. Presione el botón Plus para entrar al modo de "MULTI Pair" (vinculación múltiple). Si no se presiona ningún botón durante 10 segundos, el altavoz también se pondrá en modo "MULTI Pair" (vinculación múltiple). Cuando la conexión sea exitosa, en la pantalla del primer altavoz se mostrará "PARENT" (el altavoz maestro) y en la de los otros altavoces se mostrará "CHILD" (el altavoz secundario). Los ajustes del ecualizador volverán al modo plano (configuración inicial).

Nota:

Cuando conecte los demás altavoces, hágalo en menos de 1 minuto. Transcurrido 1 minuto, el altavoz no puede conectarse.

Añadir un nuevo altavoz secundario

Si tras la conexión desea añadir otro altavoz, siga los siguientes pasos:

1. Asegúrese de que el altavoz nuevo esté en modo Bluetooth.

- Presione el botón Plus en el altavoz maestro. En pantalla se mostrará "MULTI ADD" y "ADD" (añadir) parpadeará en la pantalla.
- Presione el botón Plus en el altavoz nuevo, en pantalla se mostrará **[EST.]** **[MULTI]**.
- Seleccione **[MULTI]** presionando el botón L/R. **[MULTI]** parpadeará en la pantalla. Presione el botón Plus para entrar al modo de "MULTI Pair" (vinculación múltiple). Si no se presiona ningún botón durante 10 segundos, el altavoz también se pondrá en modo "MULTI Pair" (vinculación múltiple). Cuando la conexión sea exitosa, en la pantalla del altavoz nuevo se mostrará "CHILD" (el altavoz secundario). Los ajustes del ecualizador volverán al modo plano (configuración inicial).

Comenzar la reproducción

- Comience la reproducción en el dispositivo Bluetooth conectado y ajuste el volumen en el dispositivo Bluetooth o en los altavoces para una escucha agradable. La misma música se reproducirá desde todos los altavoces.
Nota:
Solo para el altavoz maestro. El ajuste del volumen o del ecualizador (sin incluir graves/medios/agudos) se sincronizará con el resto de altavoces. Para otros altavoces, ajuste el volumen o ecualizador individualmente con cada altavoz.
- Use los controles en su dispositivo Bluetooth para reproducir/pausar y navegar por las pistas. Alternativamente, controle la reproducción usando los botones de reproducir/pausar, siguiente pista y pista anterior en el altavoz maestro. La pantalla del altavoz maestro mostrará información de la pista como el título, artista, álbum, etc.
- Mantenga presionado el botón de avance rápido o rebobinado en el altavoz maestro para moverse por la pista actual. Suelte el botón cuando llegue al punto deseado.

Desconectar los múltiples altavoces

- Para desconectar solo un altavoz secundario, mantenga presionado el botón Plus del altavoz secundario que desea desconectar.
- Para desconectar todas las conexiones y salir del grupo de múltiples altavoces, mantenga presionado el botón Plus en el altavoz maestro.

Función de ecualizador

- Presione el botón de encendido para encender el altavoz.
- Presione el botón de control del ecualizador para seleccionar el modo deseado (PLANO/JAZZ/ROCK/CLÁSICA/POP/NOTICIAS).
- Para configurar los graves, medios y agudos, presione

el botón de control del ecualizador hasta que "Bass" (graves) parpadee en la pantalla.

- Presione el botón de subir/bajar volumen para seleccionar el nivel de graves deseado. Presione el botón de control del ecualizador para confirmar los ajustes y entrar a la configuración de medios.
- Presione el botón de subir/bajar volumen para seleccionar el nivel de medios deseado. Presione el botón de control del ecualizador para confirmar los ajustes y entrar a la configuración de agudos.
- Presione el botón de subir/bajar volumen para seleccionar el nivel de agudos deseado. Presione el botón de control del ecualizador para confirmar los ajustes.

Reproducir música a través de la toma de entrada auxiliar

Se proporciona una toma de entrada auxiliar de 3,5 mm en el lado derecho de la unidad para permitir que la unidad reciba una señal de audio desde cualquier dispositivo que cuente con una salida de auriculares o de audio, como un reproductor de MP3 o CD.

- Conecte una fuente de audio estéreo o mono (como un reproductor de MP3 o CD) a la toma de entrada auxiliar (marcada como "AUX IN"). El altavoz cambiará del modo Bluetooth al modo de entrada auxiliar.
- Ajuste el control del volumen en su reproductor MP3 o CD para garantizar una señal adecuada y a continuación, ajuste el volumen en el altavoz para una escucha agradable.

Nota:

Para tener una mejor calidad de sonido, recomendamos establecer el volumen a más de dos tercios en su dispositivo de audio y a continuación, ajustar el volumen en el altavoz según necesite.

Al reproducir a través de la toma de entrada auxiliar, la pantalla no muestra información como el título, artista, álbum, etc.

MANTENIMIENTO

⚠ PRECAUCIÓN:

- Nunca use gasolina, bencina, diluyentes, alcohol o similares. Podría dar como resultado decoloración, deformaciones o roturas.
- No lave el altavoz con agua.

ESPECIFICACIONES

Amplificador	
Potencia de salida	10.8V-12Vmáx.: 3.5W 14.4V: 6W 18V: 10W
Frecuencia de respuesta	50Hz~20kHz
Aux In	
Sensibilidad de entrada	250mVrms @100Hz
Altavoz	
Altavoz principal	101.6mm 8ohm 10W
Tweeter	36mm 8ohm 10W

Bluetooth®	
(La palabra Bluetooth® y los logotipos son marcas comerciales registradas propiedad de Bluetooth SIG, Inc.)	
Versión Bluetooth	5.0 certificado
Perfil Bluetooth	A2DP/SCMS-T/AVRCP
Potencia de transmisión	Potencia de clase 2
Alcance de transmisión	Óptima: 10 metros máximo (33 pies) Posible: 30 metros máximo (100 pies) (varía en función de las condiciones de uso)
Códec compatible	SBC
Perfil Bluetooth compatible	A2DP/AVRCP
Potencia máxima de altavoz frecuencia:	BT EDR: 3.08dBm BT LE: 3.88dBm
Frecuencia de funcionamiento	2402MHz~2480MHz

Toma de carga USB	
Potencia máxima de alimentación de la toma USB	5V, 2,1A

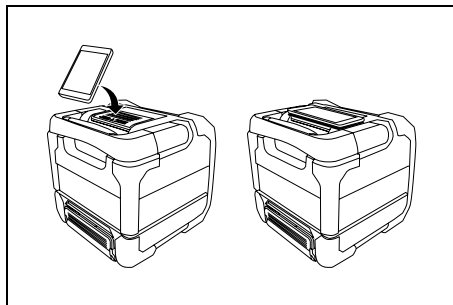
General	
Adaptador de alimentación de CA	Entrada CC 12V 1,5A, pin central positivo
Batería	Batería deslizante: 10.8V-12Vmáx. 14.4V 18V
Dimensiones (ancho x alto x largo)	206mm × 199mm × 217mm
Peso	2,7kg (sin la batería)

La compañía se reserva el derecho para modificar las especificaciones sin previo aviso.

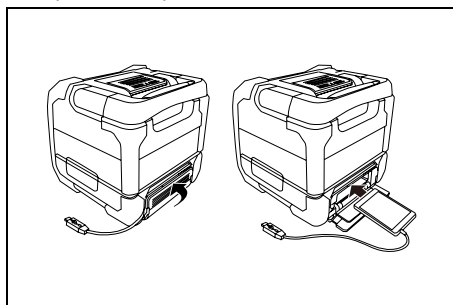
PORTUGUÊS (Instruções de origem)

Explicação do aspeto geral (Fig. 1)

1. Compartimento fechado da bateria/Painel para colocação do telemóvel



2. Pega
3. DC in
4. Entrada Auxiliar
5. Carregamento USB
6. Altifalante
7. Visor LCD
8. Aumentar o volume
9. Diminuir o volume
10. Botão Mais (botão emparelhamento adicional)
11. Botão L/R (esquerda/direita)
12. Botão Faixa seguinte/Avançar
13. Botão Reproduzir/Pausar
14. Botão Faixa anterior/Rebobinar
15. Botão Emparelhamento Bluetooth
16. Botão Controlar EQ
17. Ligar/Desligar
18. Compartimento para o telemóvel



19. Terminal de bateria 14,4 V/18V
20. Terminal da bateria 10,8 V-12V máx
21. Tampa do compartimento para o telemóvel
22. Orifício para cabo

SÍMBOLOS

O seguinte mostra os símbolos usados para o equipamento. Certifique-se que compreende o seu significado antes de usar.



Leia o manual de instruções.

SEGURANÇA IMPORTANTE INSTRUÇÕES

⚠ ADVERTÊNCIA:

Quando utiliza ferramentas elétricas, deve seguir sempre as precauções de segurança básicas para reduzir o risco de incêndio, choque elétrico e danos pessoais, incluindo o seguinte:

1. Leia cuidadosamente o manual de instruções e o manual de instruções do carregador antes de usar.
2. Limpe apenas com um pano seco.
3. Não instale o aparelho junto de fontes de calor como radiadores, registos de calor, fogões ou outros aparelhos (incluindo amplificadores) que produzam calor.
4. Utilize apenas as ligações/acessórios especificados pelo fabricante.
5. Desligue este aparelho quando houver trovoadas ou quando não seja usado por um longo período de tempo.
6. Um altifalante que funciona a bateria com baterias integrais ou um conjunto de baterias separado só pode ser recarregado com o carregador especificado para a bateria. Um carregador adequado para um tipo de bateria pode criar um risco de incêndio quando usado com outra bateria.
7. Utilize o altifalante operado por bateria apenas com os conjuntos de baterias especificamente designados. O uso de quaisquer outras baterias pode criar um risco de incêndio.
8. Quando o conjunto da bateria não se encontra a uso, mantenha-o afastado de outros objetos de metal como: clips de papel, moedas, chaves, pregos, parafusos, ou outros objetos pequenos de metal que possam fazer a ligação entre dois terminais. Colocar em curto-circuito os terminais da bateria pode causar faíscas, queimaduras ou um incêndio.
9. Evitar contacto do corpo com superfícies ligadas à terra como tubos, radiadores, fogões e frigoríficos. Há um risco acrescido de choque elétrico se o corpo estiver ligado à terra.
10. Em condições de mau uso, poderá ser ejetado líquido da bateria, evite o contacto. Se ocorrer um contacto accidental, lave abundantemente com água. Se o líquido entrar em contacto com os olhos, procure também ajuda médica. O líquido ejetado da bateria pode causar irritação ou queimaduras.

11. Não utilize uma bateria ou ferramenta danificada ou modificada. Baterias danificadas ou modificadas podem exibir comportamentos imprevisíveis que resultam em incêndio, explosão ou risco de ferimentos.
 12. Não exponha uma bateria ou ferramenta ao fogo ou temperatura excessiva. A exposição ao fogo ou a temperatura acima de 130°C (266°F) pode provocar uma explosão.
 13. Siga todas as instruções de carregamento e não carregue a bateria ou a ferramenta fora do intervalo de temperatura especificado nas instruções. Carregar incorretamente ou em temperaturas fora do intervalo especificado pode danificar a bateria e aumentar o risco de incêndio.
 14. A ficha do CABO PRINCIPAL é usada para desligar o aparelho e permanecerá pronta a operar.
 15. Não utilize o produto com o volume alto em nenhuma circunstância. Para evitar danos auditivos, utilize o produto com um nível de volume moderado.
 16. (Apenas para produtos com visor LCD) Os visores LCD incluem líquidos que podem causar irritação e envenenamento. Se o líquido entrar nos olhos, na boca ou na pele, enxaguar com água e chamar um médico.
 17. Não exponha o produto à chuva ou em condições húmidas. A entrada de água no produto aumentará o risco de choque elétrico.
 18. Este produto não está destinado a ser utilizado por pessoas (incluindo crianças) com capacidades físicas, sensoriais ou mentais reduzidas, ou falta de experiência e conhecimento, a menos que tenham sido supervisionadas ou instruídas sobre o uso do produto por uma pessoa responsável pela sua segurança. As crianças devem ser supervisionadas para garantir que elas não brinquem com o produto. Armazene o produto fora do alcance das crianças.
 19. Não aqueça ou exponha o altifalante ao fogo nem a deixe num local quente, como próximo a uma fonte de calor, exposta à luz solar direta ou dentro de um veículo sob o sol escaldante. Isso pode causar incêndio ou explosão e resultar em ferimentos pessoais.
- o funcionamento. Pode provocar um risco de sobreaquecimento, possíveis queimaduras ou mesmo explosão.
 4. Se o eletrólito entrar para os olhos, lave-os com água limpa e procure um médico imediatamente. Pode originar perda de visão.
 5. Não faça curto circuito com a bateria:
 - (1) Não toque nos terminais com qualquer material condutor.
 - (2) Evite guardar o cartucho da bateria num recipiente com outros objetos de metal como pregos, moedas, etc.
 - (3) Não exponha o cartucho de bateria à água ou à chuva. Um curto circuito na bateria pode causar um grande fluxo de corrente, sobreaquecimento, possíveis queimaduras e mesmo avaria.
 6. Não guarde a ferramenta e o cartucho da bateria em locais em que a temperatura possa chegar ou ultrapassar os 50°C (122°F).
 7. Não incinere o cartucho da bateria mesmo que se encontre muito danificado ou esteja completamente gasto. O cartucho da bateria pode explodir num incêndio.
 8. Tenha cuidado para não deixar cair a bateria ou bater com a bateria.
 9. Não use uma bateria danificada.
 10. Para evitar riscos, o manual de substituição da bateria deve ser lido antes de usar. E a corrente de descarga máxima da bateria deve ser maior ou igual a 8A.
 11. As baterias que contêm íões de lítio estão sujeitas aos requisitos da Legislação de Mercadorias Perigosas. Para transportes Comerciais, por exemplo, por terceiros, agentes de encaminhamento, requisitos especiais de embalagem e rotulagem devem ser observados.
Para a preparação do item que está a ser enviado, é necessário consultar um especialista em materiais perigosos. Observe também as regulamentações nacionais mais detalhadamente.
Fita ou cubrir os contatos abertos e arrumar a bateria de tal maneira que não pode se mover na embalagem.

GUARDE ESTAS INSTRUÇÕES

NORMAS DE SEGURANÇA ESPECÍFICAS PARA O CARTUCHO DA BATERIA

1. Antes de usar o cartucho da bateria, leia todas as instruções e marcas de advertência no (1) carregador da bateria, (2) bateria e (3) produto que usa a bateria.
2. Não desmonte o cartucho da bateria.
3. Se o período de funcionamento se tornar excessivamente curto, pare imediatamente
- o funcionamento. Pode provocar um risco de sobreaquecimento, possíveis queimaduras ou mesmo explosão.
4. Se o eletrólito entrar para os olhos, lave-os com água limpa e procure um médico imediatamente. Pode originar perda de visão.
5. Não faça curto circuito com a bateria:
 - (1) Não toque nos terminais com qualquer material condutor.
 - (2) Evite guardar o cartucho da bateria num recipiente com outros objetos de metal como pregos, moedas, etc.
 - (3) Não exponha o cartucho de bateria à água ou à chuva. Um curto circuito na bateria pode causar um grande fluxo de corrente, sobreaquecimento, possíveis queimaduras e mesmo avaria.
6. Não guarde a ferramenta e o cartucho da bateria em locais em que a temperatura possa chegar ou ultrapassar os 50°C (122°F).
7. Não incinere o cartucho da bateria mesmo que se encontre muito danificado ou esteja completamente gasto. O cartucho da bateria pode explodir num incêndio.
8. Tenha cuidado para não deixar cair a bateria ou bater com a bateria.
9. Não use uma bateria danificada.
10. Para evitar riscos, o manual de substituição da bateria deve ser lido antes de usar. E a corrente de descarga máxima da bateria deve ser maior ou igual a 8A.
11. As baterias que contêm íões de lítio estão sujeitas aos requisitos da Legislação de Mercadorias Perigosas. Para transportes Comerciais, por exemplo, por terceiros, agentes de encaminhamento, requisitos especiais de embalagem e rotulagem devem ser observados.
Para a preparação do item que está a ser enviado, é necessário consultar um especialista em materiais perigosos. Observe também as regulamentações nacionais mais detalhadamente.
Fita ou cubrir os contatos abertos e arrumar a bateria de tal maneira que não pode se mover na embalagem.
12. Ao descartar a bateria, remova-a primeiro da ferramenta e descarte-a num local seguro. Siga os regulamentos locais relacionados ao descarte de baterias.
13. Use as baterias apenas com os produtos especificados pela Makita. A instalação das baterias em produtos não conformes pode resultar em incêndio, superaquecimento, explosão ou vazamento de eletrólito.
14. Se a ferramenta não for utilizada durante um longo período, a bateria deve ser removida da ferramenta.

⚠ CUIDADO:

- Perigo de explosão se a bateria for substituída incorretamente.
- Substitua apenas pelo mesmo tipo ou equivalente.
- utilize apenas baterias Makita genuínas. O uso de baterias Makita não genuínas, ou baterias que tenham sido alteradas, pode resultar na explosão da bateria causando incêndios, danos pessoais e materiais. Também anulará a garantia da Makita para a ferramenta Makita e o carregador.

Conselhos para a manutenção prolongada da bateria

1. Carregue o cartucho da bateria antes de estar completamente descarregado. Pare sempre o funcionamento da ferramenta e carregue o cartucho da bateria quando notar uma menor potência da ferramenta.
2. Nunca recarregue um cartucho de bateria completamente carregado. O sobrecarregamento diminui a duração da bateria.
3. Carregue o cartucho da bateria à temperatura ambiente entre 10°C e 40°C (50°F e 104°F). Deixe que o cartucho da bateria quente arrefeça antes de o carregar.
4. Carregue o cartucho da bateria se não o usar por um longo período de tempo (mais de seis meses).

Para o Canadá:

Cuidados do Usuário

Mudanças e modificações que não tenham sido expressamente aprovadas pelas partes responsáveis pela conformidade poderão anular a autoridade do usuário de operar o equipamento.

Declarações sobre Exposição à Radiofrequência

Para estar em conformidade com os requisitos de exposição à radiofrequência da IC, a (s) antena (s) utilizada (s) por esse transmissor deverá (ão) ser instalada (s) a uma distância mínima de 20 cm de todas as pessoas e não deverá (ão) ser colocada (s) ou utilizada (s) em conjunto com quaisquer outras antenas ou transmissores. Mudanças na antena ou no aparelho não são permitidas. Quaisquer mudanças na antena ou no aparelho farão com que o aparelho exceda os requisitos máximos de exposição à radiofrequência, e anularão a autoridade do usuário de operar o dispositivo.

Este dispositivo está em conformidade com a (s) norma (s) RSS de isenção de licença da Indústria do Canadá. A operação está sujeita às duas condições a seguir: (1) este dispositivo não pode causar interferência e (2) este dispositivo deve aceitar qualquer interferência, inclusive interferência que pode causar operação indesejada do dispositivo.

TEMPO DE FUNCIONAMENTO

* As baterias adequadas para este altifalante estão listadas na tabela a seguir.

* A tabela seguinte indica o tempo de funcionamento com um único carregamento.

Capacidade da bateria	Voltagem da bateria			SAÍDA ALTIFALANTE = 100mW Unidade: Hora (Aproximadamente)	
	10.8V-12Vmáx	14.4V	18V	Bluetooth	Entrada AUX
1.3Ah		BL1415*		5.5	6.5
			BL1815*	6.0	6.5
1.5Ah	BL1016			8.5	9.5
		BL1415N*		7.5	8.5
			BL1815N	7.5	8.5
2.0Ah	BL1021B			11	12
			BL1820* BL1820B	10	11
3.0Ah		BL1430* BL1430B		13	14
			BL1830 BL1830B	14	16
4.0Ah	BL1041B			22	25
		BL1440*		20	22
			BL1840* BL1840B	20	22
5.0Ah		BL1450*		24	27
			BL1850* BL1850B	26	29
6.0Ah		BL1460B*		27	30
			BL1860B	32	35

AVISO:

Utilize apenas as bateria listadas acima. O uso de qualquer outra bateria pode causar ferimentos e/ou incendiar.

Nota:

- A tabela relativa ao tempo de operação da bateria acima é para referência.
- O tempo de operação real pode diferir com o tipo de bateria, condição de carregamento ou ambiente de utilização.

INSTALAÇÃO E FONTE DE ALIMENTAÇÃO

⚠ CUIDADO:

- Tenha cuidado para não entalar os dedos ao abrir e fechar a tampa da bateria.
- Volte a colocar o compartimento da bateria na posição original, após instalar ou remover a bateria. Caso contrário, a bateria pode cair acidentalmente do altifalante e causar ferimentos a si ou em alguém que esteja perto de si.
- Feche e tranque sempre o compartimento da bateria antes de mover o altifalante.
- Desligue sempre o altifalante antes de instalar ou remover a bateria.
- Tenha cuidado para não deixar cair ou dar uma pancada no altifalante. Se o cartucho partir pode cortar o dedo ou o corpo. Altifalante danificado pode exibir um comportamento imprevisível e resultar em incêndio, explosão ou risco de lesão.
- Segure o altifalante e a bateria com firmeza ao instalar ou remover a bateria. Caso não segure o altifalante e a bateria com firmeza, estes podem-lhe deslizar das mãos e danificar o altifalante e a bateria, além de causar ferimentos pessoais.

IMPORTANTE:

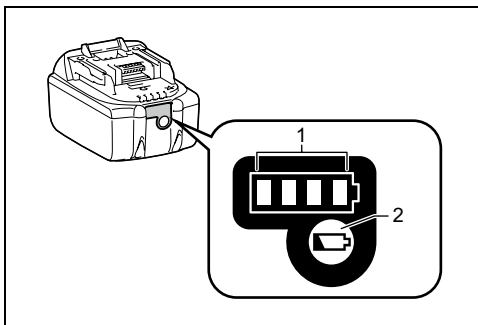
- Potência reduzida, distorção, “sluttering sound” (som com interrupções) ou “low battery” (bateria fraca) aparecerem no ecrã, são sinais de que a bateria principal precisa de ser substituída.
- A bateria não pode ser carregada por meio do adaptador de alimentação CA fornecido.
- A bateria não está incluída como acessório padrão.

Instalar ou remover o cartucho deslizante da bateria (fig. 3 e 4)

- Para instalar o cartucho da bateria, alinhar a ponta do cartucho da bateria com a ranhura do cartucho da bateria no compartimento e colocá-la no sítio. Insira sempre a totalidade para que fique no lugar e faça um clique.
- Se ainda estiver visível o indicador vermelho na parte superior do botão, não estará bem encaixado. Coloque-a completamente, até deixar de ver o indicador vermelho. Caso contrário, pode cair do altifalante e causar ferimentos em si, ou em alguém que esteja perto de si.
- Não force quando inserir o cartucho da bateria. Se o cartucho não deslizar facilmente, não foi inserido corretamente.
- Para remover a bateria, deslize-a do altifalante enquanto prime o botão na frente da bateria.

Indicando a capacidade restante da bateria

* Apenas os cartuchos de bateria com um “B” no final do número do modelo



➤ 1. Lâmpadas do indicador 2. Botão de verificação
Pressione o botão de verificação do cartucho da bateria para indicar a capacidade remanescente da bateria. As lâmpadas indicadoras acendem durante uns segundos.

• Baterias de 14.4V/18V

Lâmpadas indicadoras			Capacidade restante
Aceso	Desligado	A Piscar	
■	■	■	75% ~ 100%
■	■	□	50% ~ 75%
■	□	□	25% ~ 50%
□	□	□	0% ~ 25%
◼	□	□	Carregue a bateria
■	□	□	A bateria pode estar avariada
□	■	■	

• Baterias de 10.8V-12V máx

Lâmpadas indicadoras			Capacidade restante
Aceso	Desligado	A Piscar	
■	■	■	75% ~ 100%
■	■	□	50% ~ 75%
■	□	□	25% ~ 50%
□	□	□	0% ~ 25%

NOTA:

Dependendo das condições de utilização e da temperatura ambiente, a indicação pode diferir ligeiramente da capacidade efetiva.

Usar o adaptador de corrente AC fornecido

Retire o protetor de borracha e insira a ficha do adaptador na tomada DC no lado direito do altifalante. Ligue o adaptador numa tomada normal. Sempre que é usado o adaptador, o conjunto da bateria é automaticamente desligado.

⚠ CUIDADO:

- **Desconecte sempre completamente o adaptador de alimentação CA antes de mover o altifalante. Se o adaptador CA não for removido, pode causar um choque elétrico.**
- **Nunca puxe ou arraste o cabo do adaptador. Caso contrário, o altifalante pode cair acidentalmente e causar danos a si ou em alguém que esteja perto de si.**

IMPORTANTE:

- O adaptador de corrente é usado como meio de ligação do altifalante à corrente. A tomada de corrente usada para o altifalante tem de estar acessível durante o uso normal.
- Para desconectar o altifalante, o adaptador deve ser removido completamente da tomada.
- Utilizar o adaptador de alimentação CA fornecido com o produto ou especificado apenas pela Makita.
- Não segure o cabo de alimentação na boca. Pode causar choque elétrico.
- Não toque na ficha de alimentação com as mãos molhadas ou gordurosas.
- Cabos danificados ou emaranhados aumentam o risco de choque elétrico. Se o cabo estiver danificado, substitua-o no nosso centro de assistência autorizado por questões de segurança. Não utilize antes de o reparar.
- Após a utilização, armazene sempre o adaptador de alimentação CA fora do alcance das crianças. Se as crianças brincarem com o cabo, podem sofrer lesões.

Tomada de abastecimento de energia USB

Esta entrada pode ser usada para carregar um telemóvel ou qualquer outro dispositivo que use corrente de DC inferior a 2.1A. O carregamento só ocorre quando o altifalante está ligado.

Nota:

Assegure-se de que a especificação do seu dispositivo externo, como telemóvel ou leitor, é compatível com o altifalante. Por favor, leia o manual de instruções do seu dispositivo externo antes de carregar.

IMPORTANTE:

- Antes de ligar o dispositivo USB ao carregador, faça sempre uma cópia de segurança dos dados do dispositivo USB. Caso contrário poderá perder os seus dados.
- O carregador não carrega alguns dispositivos USB.
- Quando não estiver a usar ou depois de carregar, retire o cabo USB e feche a tampa.
- Não ligue uma fonte de energia a uma porta USB. Caso contrário pode haver risco de incêndio. A porta USB destina-se apenas a carregar dispositivos de voltagem mais baixa. Coloque sempre a tampa da porta USB quando não estiver a carregar dispositivos de voltagem mais baixa.
- Não insira pregos, fios, etc. na porta de abastecimento de energia USB. Caso contrário poderá ocorrer um curto circuito causando fumo e incêndio.
- Não ligue esta tomada USB à porta USB do PC, pois há uma forte possibilidade de poder causar a avaria das unidades.

OUVIR MÚSICA A PARTIR DO SISTEMA BLUETOOTH

Precisa emparelhar o seu dispositivo Bluetooth com o altifalante antes de poder se conectar automaticamente para reproduzir/transmitir música Bluetooth através do altifalante. O emparelhamento cria uma "ligação" para que os dois dispositivos possam se reconhecer.

Nota:

Para obter a melhor qualidade de som, recomendamos configurar o volume para mais de dois terços no seu dispositivo Bluetooth e, em seguida, ajuste o volume no altifalante conforme necessário.

Emparelhar o seu dispositivo Bluetooth pela primeira vez

1. Prima o botão Ligar/Desligar para ligar o altifalante. Irá aparecer no ecrã "Pairing" (emparelhamento) para mostrar que o altifalante é detetável.
2. Ative o Bluetooth no seu dispositivo de acordo com o manual do utilizador do dispositivo para fazer a ligação ao altifalante. Localize a lista de dispositivos Bluetooth e selecione o dispositivo designado 'DMR203.' (Com alguns telemóveis que estão equipados com versões anteriores ao dispositivo Bluetooth BT2.1, pode necessitar de introduzir a palavra-passe "0000").
3. Uma vez conectado, haverá um som de tom de confirmação. Irá aparecer no ecrã "Paired" (emparelhado). Pode simplesmente selecionar e reproduzir qualquer música do seu dispositivo de origem. O controlo de volume pode ser ajustado a partir do seu dispositivo de origem ou diretamente do altifalante.

4. Use os controlos do seu dispositivo com Bluetooth ou do altifalante para tocar/pausar e procurar faixas.

Nota:

- Se 2 dispositivos Bluetooth, forem emparelhados pela primeira vez, ambos procuram o seu altifalante, mostrando a sua disponibilidade em ambos os dispositivos. Porém, se um dispositivo se ligar a esta unidade primeiro, o outro dispositivo de Bluetooth não o encontrará na lista.
- Se o dispositivo Bluetooth estiver temporariamente desligado do altifalante, então necessita de religar manualmente o seu dispositivo de novo ao altifalante.
- Se aparecer "DMR203" na sua lista de dispositivos Bluetooth mas o seu dispositivo não puder ligar-se ao mesmo, apague o item da sua lista e emparelhe, de novo, o dispositivo com o altifalante seguindo os passos descritos previamente.
- O melhor alcance de Bluetooth é de aproximadamente 10 metros (linha de visão) para o altifalante, mas a distância de até 30 metros (100 pés) é possível.
- Se a conexão Bluetooth for perdida devido ao tempo excedido de desconexão, a distância ideal foi ultrapassada, obstáculos ou outros, talvez seja necessário restabelecer a ligação entre o seu dispositivo e o altifalante.
- Obstáculos físicos, outros dispositivos sem fio ou dispositivos eletromagnéticos podem afetar a qualidade da conexão.
- O desempenho da conectividade do Bluetooth pode variar dependendo dos dispositivos Bluetooth ligados. Consulte as capacidades de Bluetooth do seu dispositivo antes de o ligar ao altifalante. Nem todas as funcionalidades são suportadas nalguns dispositivos Bluetooth emparelhados.

tocar ficheiros áudio em Modo Bluetooth

Depois de ter ligado com sucesso o seu altifalante ao dispositivo Bluetooth escolhido pode começar a tocar a sua música usando os controlos do dispositivo Bluetooth ligado.

1. Depois de começar a tocar ajuste o volume de acordo com o desejado, usando os botões de volume do seu altifalante, ou os do dispositivo com capacidade Bluetooth.
2. Utilize os controlos do seu dispositivo Bluetooth para reproduzir/colocar em pausa e navegar pelas faixas. Como alternativa, controle a reprodução usando os botões Reproduzir/Pausa, Faixa seguinte e Faixa anterior no altifalante.
3. Prima e segure o botão Avançar ou o botão Rebobinar para percorrer a faixa atual. Solte o botão quando chegar ao ponto desejado.

Nota:

- Nem todas as aplicações do aparelho ou dispositivo respondem a estes controlos.
- Alguns telemóveis podem ficar temporariamente desligados do altifalante quando faz ou recebe chamadas. Alguns dispositivos podem silenciar temporariamente o streaming áudio do Bluetooth quando recebem mensagens de texto, emails, ou por outras razões não relacionadas com o streaming áudio. Esse comportamento é uma função do dispositivo ligado e não indica uma avaria no seu altifalante.
- O ecrã irá mostrar as informações da faixa, como o título, artista, álbum, etc., ao reproduzir no modo Bluetooth.

Reproduzir um dispositivo Bluetooth previamente emparelhado

O seu altifalante pode memorizar até 8 conjuntos de dispositivos emparelhados, quando a memória excede este valor, o histórico do emparelhamento mais antigo será substituído. Se o seu dispositivo Bluetooth já tiver sido emparelhado anteriormente com o altifalante, a unidade memorizará o seu dispositivo Bluetooth e este tenta restabelecer a ligação com um dispositivo na memória que tenha sido ligado da última vez. Se o último dispositivo ligado não estiver disponível, o altifalante fica disponível.

Desligar o Dispositivo Bluetooth

Prima e segure o botão Emparelhamento Bluetooth durante 2-3 segundos até que seja exibido no ecrã "Pairing" para desconectar-se do dispositivo Bluetooth ou desligar o Bluetooth no seu dispositivo Bluetooth para desativar a conexão.

Apagar os dispositivos Bluetooth emparelhado gravados

Para limpar a memória de todos os dispositivos emparelhados, prima e segure o botão Emparelhamento Bluetooth por mais do que 5 segundos até ouvir dois bipes.

FUNÇÃO TRUE WIRELESS STEREO (TWS)

O True wireless stereo (TWS) é um recurso que permite que um dispositivo se conecte sem fio a outro dispositivo. Pode usar a função TWS para conectá-la a um segundo DMR203 e tocar música através de dois altifalantes.

Configurar o primeiro altifalante

1. Certifique-se de que o primeiro altifalante esteja no modo Bluetooth e conecte-a a um dispositivo Bluetooth.

2. Prima o botão Mais, o ecrã irá mostrar **[ST] • [MULTI]**. Irá piscar no ecrã **[ST]**. Prima o botão Mais para entrar no modo “ST Pair”. Se nenhum botão for pressionado por 10 segundos, o altifalante também entrará no modo “ST Pair”. O ecrã irá mostrar “ST Pair” e “Pair” piscará durante 1 minuto.

Configurar o segundo altifalante

1. Certifique-se de que o segundo altifalante esteja no modo Bluetooth.
2. Prima o botão Mais, o ecrã irá mostrar **[ST] • [MULTI]**. Irá piscar no ecrã **[ST]**. Prima o botão Mais para entrar no modo “ST Pair”. Se nenhum botão for pressionado por 10 segundos, o altifalante também entrará no modo “ST Pair”. Quando a conexão for bem-sucedida, **[L - [ST] - R]** será mostrado em ambas os ecrãs ao mesmo tempo. A configuração de EQ será revertida para o modo Flat (configuração inicial).

Nota:

Configure o segundo altifalante em 1 minuto. Se não a configurar dentro de 1 minuto, a configuração do primeiro altifalante será cancelada.

Iniciar a reprodução

1. Inicie a reprodução no dispositivo Bluetooth conectado e ajuste o volume no dispositivo Bluetooth ou num dos altifalantes para uma audição confortável.

Nota:

Ao ajustar o Volume ou EQ (não incluindo Graves/Médios/Agudos) num dos altifalantes, será refletido noutro altifalante.

2. Utilize os controlos do seu dispositivo Bluetooth para reproduzir/colocar em pausa e navegar pelas faixas. Como alternativa, controle a reprodução usando os botões Reproduzir/Pausa, Faixa seguinte e Faixa anterior num dos altifalantes. No ecrã do primeiro altifalante irá mostrar as informações da faixa, como o título, artista, álbum, etc., ao reproduzir no modo Bluetooth.
3. Num dos altifalantes, prima e segure o botão Avançar ou o botão Rebobinar para percorrer a faixa atual. Solte o botão quando chegar ao ponto desejado.

Trocar o modo de áudio

1. Ao utilizar os dois altifalantes, pode alternar entre os modos **[L - [ST] - R]**, **[R - [ST] - R]** e **[L - [ST] - L]**.
2. Prima o botão L/R num dos altifalantes para alterar o modo de áudio.
3. **Modo [L - [ST] - R]**: Ambos os altifalantes tocam o mesmo som. É a configuração inicial.
4. **Modo [R - [ST] - R]** e **[L - [ST] - L]**: Um dos altifalantes reproduz o som no canal direito, enquanto o outro altifalante reproduz o som no canal esquerdo para reprodução estéreo entre os altifalantes.

Desconectar a função do TWS

Prima e segure o botão Mais para desconectar a função TWS.

DIVIRTA-SE COM A REPRODUÇÃO SEM FIO USANDO MÚLTIPLOS ALTIFALANTES

Pode ouvir música ao mesmo tempo ao combinar até 10 dispositivos compatíveis com esta função.

Configurar o primeiro altifalante

1. Certifique-se de que o primeiro altifalante esteja no modo Bluetooth e conecte-a a um dispositivo Bluetooth.
2. Prima o botão Mais, o ecrã irá mostrar **[ST] • [MULTI]**.
3. Selecione **[MULTI]** ao premir o botão L/R. Irá piscar no ecrã **[MULTI]**. Prima o botão Mais para entrar no modo “MULTI Pair”. Se nenhum botão for pressionado por 10 segundos, o altifalante também entrará no modo “MULTI Pair”. O ecrã irá mostrar “MULTI Pair” e “Pair” piscará durante 1 minuto.

Configurar o segundo e mais altifalantes

1. Certifique-se de que os altifalantes estejam no modo Bluetooth.
2. Prima o botão Mais, o ecrã irá mostrar **[ST] • [MULTI]**.
3. Selecione **[MULTI]** ao premir o botão L/R. Irá piscar no ecrã **[MULTI]**. Prima o botão Mais para entrar no modo “MULTI Pair”. Se nenhum botão for pressionado por 10 segundos, o altifalante também entrará no modo “MULTI Pair”. Quando a conexão for bem-sucedida será mostrado no ecrã do primeiro altifalante “PARENT” (altifalante principal) e nos outros altifalantes irão aparecer em todas “CHILD” (altifalante secundário). A configuração de EQ será revertida para o modo Flat (configuração inicial).

Nota:

Configure o segundo altifalante em 1 minuto. Se não a configurar dentro de 1 minuto, a configuração do primeiro altifalante será cancelada.

Adicionar um novo altifalante dependente

Se quiser adicionar outro altifalante após a conexão, siga as etapas seguintes:

1. Certifique-se de que o novo altifalante esteja no modo Bluetooth.
2. Prima o botão Mais do altifalante principal, o ecrã irá mostrar “MULTI ADD” (adicionar múltiplos) e “ADD” (adicionar) irá piscar no ecrã.
3. Prima o botão Mais do novo altifalante, o ecrã irá

mostrar **ST** / **MULTI**.

4. Selecione **MULTI** ao premir o botão L/R. Irá piscar no ecrã **MULTI**. Prima o botão Mais para entrar no modo "MULTI Pair". Se nenhum botão for pressionado por 10 segundos, o altifalante também entrará no modo "MULTI Pair". Quando a conexão for bem-sucedida irá aparecer no novo altifalante "CHILD" (altifalante secundário). A configuração de EQ será revertida para o modo Flat (configuração inicial).

Iniciar a reprodução

1. Inicie a reprodução no dispositivo Bluetooth conectado e ajuste o volume no dispositivo Bluetooth ou num dos altifalantes para uma audição confortável. Será reproduzida a mesma música em todas os altifalantes.
Nota:
Altifalante principal: os ajustes de volume ou EQ (não incluindo Graves/Médios/Agudos) serão sincronizados com os outros altifalantes. Restantes altifalantes: ajuste de volume ou EQ individualmente em cada um dos altifalantes.
2. Utilize os controlos do seu dispositivo Bluetooth para reproduzir/colocar em pausa e navegar pelas faixas. Como alternativa, controle a reprodução usando os botões Reproduzir/Pausa, Faixa seguinte e Faixa anterior no altifalante principal. No ecrã do altifalante principal irá mostrar as informações da faixa, como o título, artista, álbum, etc.
3. No altifalante principal, prima e segure o botão Avançar ou o botão Rebobinar para percorrer a faixa atual. Solte o botão quando chegar ao ponto desejado.

Desconectar múltiplos altifalantes

- Para desconectar apenas um altifalante dependente, prima e segure o botão Mais do altifalante dependente que deseja desconectar.
- Para desconectar todas as conexões e sair do grupo de múltiplos altifalantes, prima e segure o botão Mais do altifalante principal.

Função Equalizador

1. Prima o botão Ligar/Desligar para ligar o altifalante.
2. Prima o botão Controlar EQ para selecionar o modo desejado (FLAT/JAZZ/ROCK/CLASSIC/POP/NEWS).
3. Para configurar os graves, médios e agudos, prima o botão Controlar EQ até que "Bass" (graves) pisque no ecrã.
4. Prima o botão Aumentar/diminuir volume para selecionar o nível de graves desejado. Prima o botão Controlar EQ para confirmar a configuração e entre na configuração "Mid" (médios).
5. Prima o botão Aumentar/diminuir volume para selecionar o nível de médios desejado. Prima o botão Controlar EQ para confirmar a configuração e entre na

configuração "Tre." (Agudos).

6. Prima o botão Aumentar/diminuir volume para selecionar o nível de agudos desejado. Prima o botão Controlar EQ para confirmar a configuração.

Reproduzir música através da entrada auxiliar

A entrada auxiliar de 3,5mm encontra-se no lado direito da unidade, esta permite que um sinal de áudio seja reproduzido na unidade a partir de qualquer dispositivo que possua uma saída de áudio/auscultador como MP3 ou Leitor de CDs.

1. Conecte uma fonte de áudio estéreo ou mono (por exemplo, MP3 ou Leitor de CDs) na entrada Auxiliar (marcado como 'AUX IN'), o altifalante irá trocar o modo Bluetooth para o modo de entrada auxiliar.
2. Ajuste o volume no seu MP3 ou Leitor de CDs para garantir um sinal adequado e ajuste o volume no altifalante para uma audição confortável.

Nota:

Para obter a melhor qualidade de som, recomendamos que ajuste o volume para um nível de mais de dois terços no seu dispositivo de áudio e ajuste o volume no altifalante, conforme desejar.

O ecrã não irá mostrar as informações, como título, artista, álbum, etc., ao reproduzir através da entrada auxiliar.

MANUTENÇÃO

⚠ ATENÇÃO:

- Nunca use gasolina, benzina, diluente, álcool ou similares. Podem originar descoloração, deformação ou rachas.
- Não limpe o altifalante com água.

ESPECIFICAÇÕES

Amplificador	
Energia de Saída	10.8V-12Vmáx: 3.5W 14.4V: 6W 18V: 10W
Resposta de Frequência	50Hz~20kHz
Aux In	
Sensibilidade de entrada	250mVrms @100Hz
Altifalante	
Altifalante Principal	101.6mm 8ohm 10W
Altifalante tweeter	36mm 8ohm 10W

Bluetooth®	
(A marca e o logótipo Bluetooth® são marcas comerciais registadas da Bluetooth SIG, Inc.)	
Versão Bluetooth	Certificado 5.0
Perfil Bluetooth	A2DP/SCMS-T/AVRCP
Energia de Transmissão	Energia de Classe 2
Raio de Transmissão	Ótimo: Máx.10 metros (33 pés) Possível: Máx. 30 metros (100 pés) (varia de acordo com as condições de utilização)
Codec suportado	SBC
Perfil Bluetooth compatível	A2DP/AVRCP
Potência máxima de radiofrequência	BT EDR: 3.08dBm BT LE: 3.88dBm
Frequência de operação	2402MHz~2480MHz

Entrada de carregamento USB	
Potência máxima de alimentação da entrada USB	5V, 2.1A

Geral	
Adaptador de alimentação CA	DC in 12V 1.5A, pino central positivo
Bateria	Bateria de deslize: 10.8V-12Vmáx 14.4V 18V
Dimensões (L x A x P)	206mm × 199mm × 217mm
Peso	2.7KG (sem bateria)

A empresa reserva-se o direito de alterar as especificações sem aviso prévio.

Makita Corporation
3-11-8, Sumiyoshi-cho,
Anjo, Aichi 446-8502 Japan

DMR203-NA3-BZ-2001
3A81dF5Z3000A

www.makita.com

SJN